

# Options

## Motorcycle parts (without engine)

F-1 Chasis.....	1
F-2 Lights and main Cable.....	2
F-3 Battery and Braket.....	3
F-4 Handle switch and control cable.....	4
F-5 Front suspension and front fender.rear shock absorber.....	5
F-6 Stem steering and speedodometer.....	6
F-7 Front wheel assy.....	7
F-8 Rear shake and chain cover.....	8
F-9 Rear Wheel.....	9
F-10 Front&rear brake pump assy.....	10
F-11 Fuel Tank and switch.....	11
F-12 Seat Assy.....	12
F-13 Shift gear system assy.....	13-14
F-14 Rear brake pole.....	15
F-15 Air filter assy.....	16

F-16 Exhaust pipe assy.....	17
F-17 Rear fender assy.....	18
F-18 Side cover and wire box.....	19
F-19 Water bottle.....	20
F-20 Side pedal set.....	21

Note: For reference only in this book, please prevail in object.

## Options

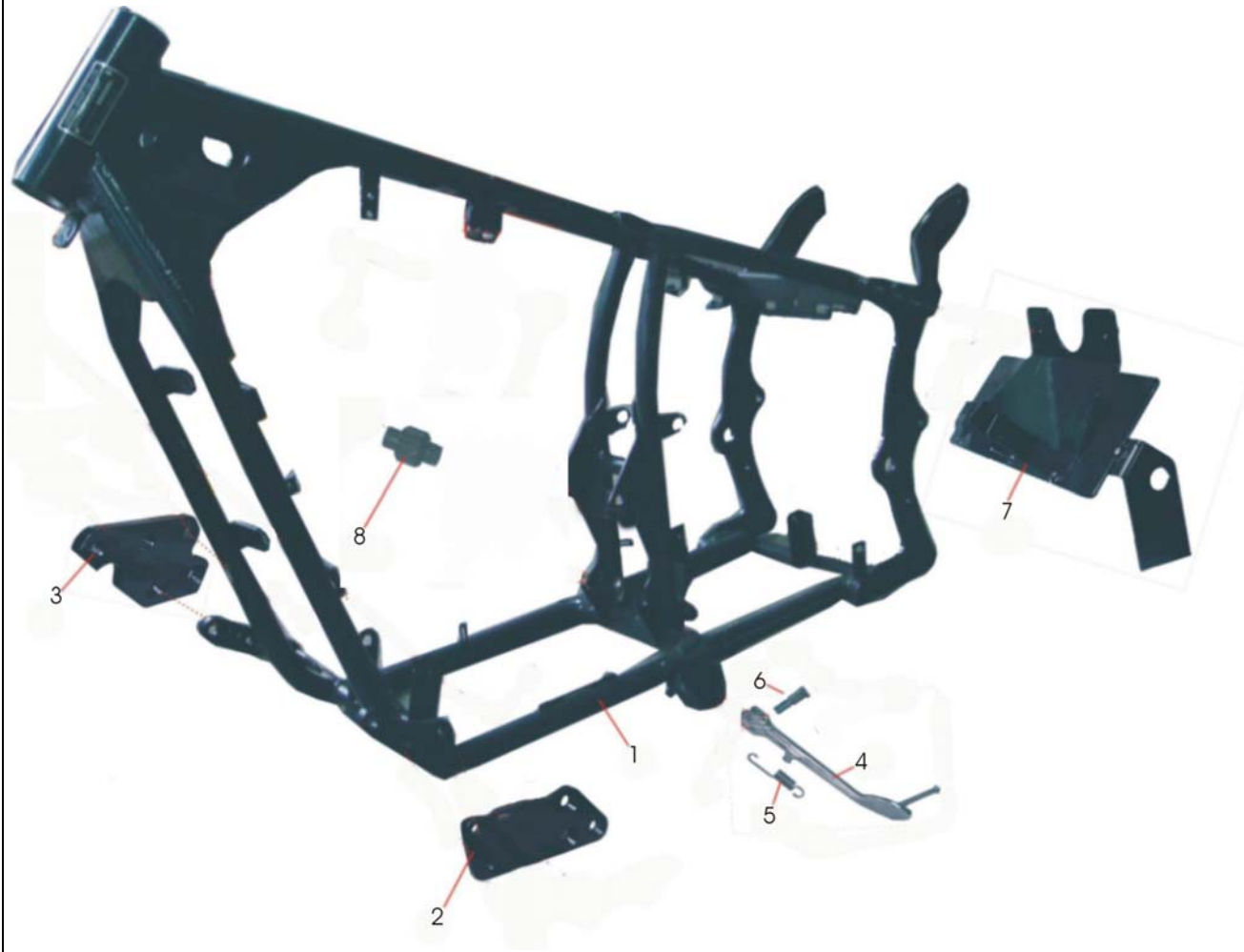
### Engine

E-1 Cylinder head assembly.....	22-23
E-2 Cylinder assembly.....	24
E-3 Crankcase assembly.....	25-26
E-4 Crankshaft connecting rod piston assembly.....	27
E-5 Oil pump assembly.....	28
E-6 Oil pump assembly.....	29
E-7 Clutch assembly.....	30

E-8 Left crankcase cover assembly.....	31
E-9 EFI assy.....	32
E-10 Electricity starting assembly.....	33
E-11 Electricity starting assembly.....	34
E-12 Right crankcase cover assembly.....	35
E-13 Transmission assembly.....	36
E-14 Balance shaft assy.....	37
E-15 Water pump assy.....	38

Note: For reference only in this book, please prevail in object.

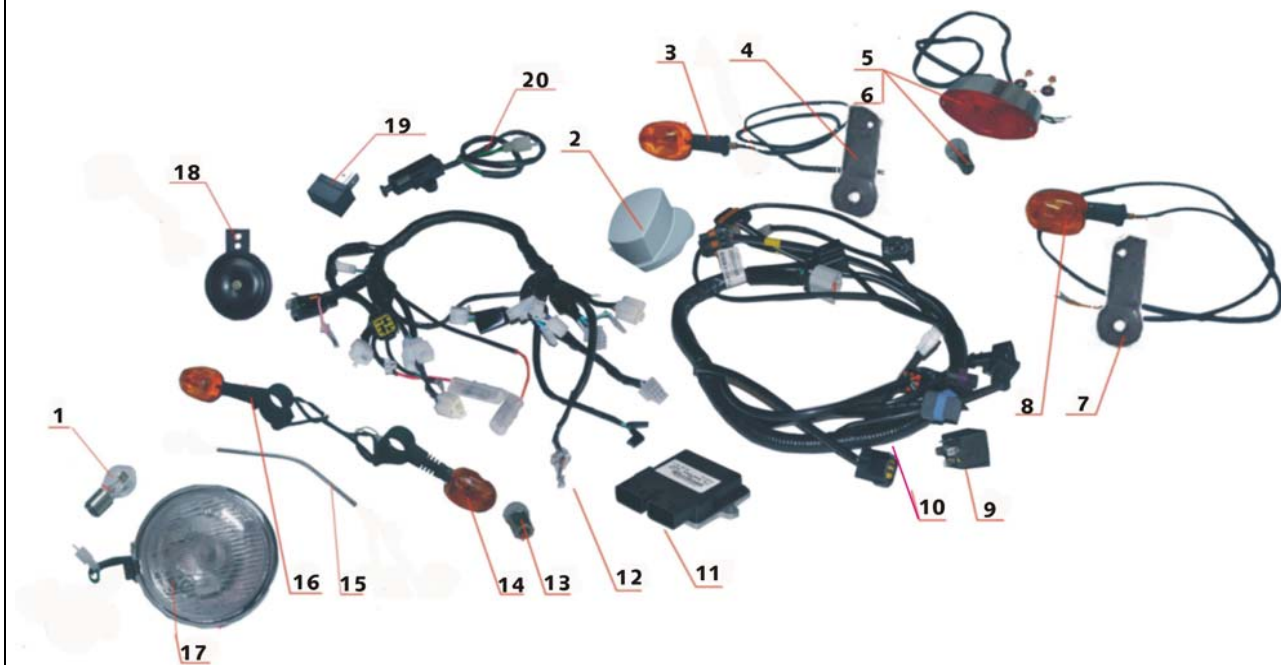
## F-1 Chasis



s/n	part number	part code	parts english name	parts Chinese name	qty	price	order	note
1	1.53.02.0110000	DD350E-6C-0201-100	Chasis(Delpi EFI)	车架主体(DEL、电喷)	1			
2	1.53.14.0701000	DD300E-6C-1407-010	board for left peg	左脚蹬垫板	1			
3	1.53.14.0601000	DD300E-6C-1406-010	board for right peg	右脚蹬垫板	1			
4	1.63.14.0100000	DD300E-6-1401-000	Side stand w/flameout	单撑组件(带熄火开关)	1			
5	1.01.14.0000300	DD250E-1400-003	Side stand spring	单撑拉簧	1			
6	1.51.14.0000200	DD250E(3)-1400-002	Bolt for stand	撑脚固定螺栓	1			
7	1.57.02.0400000	DD250E-6-0204-000	mounting plate for E parts	电器安装板	1			

8	1.01.02.0500300	DD250E-0205-003	damper cover	减震套组件	2			
---	-----------------	-----------------	--------------	-------	---	--	--	--

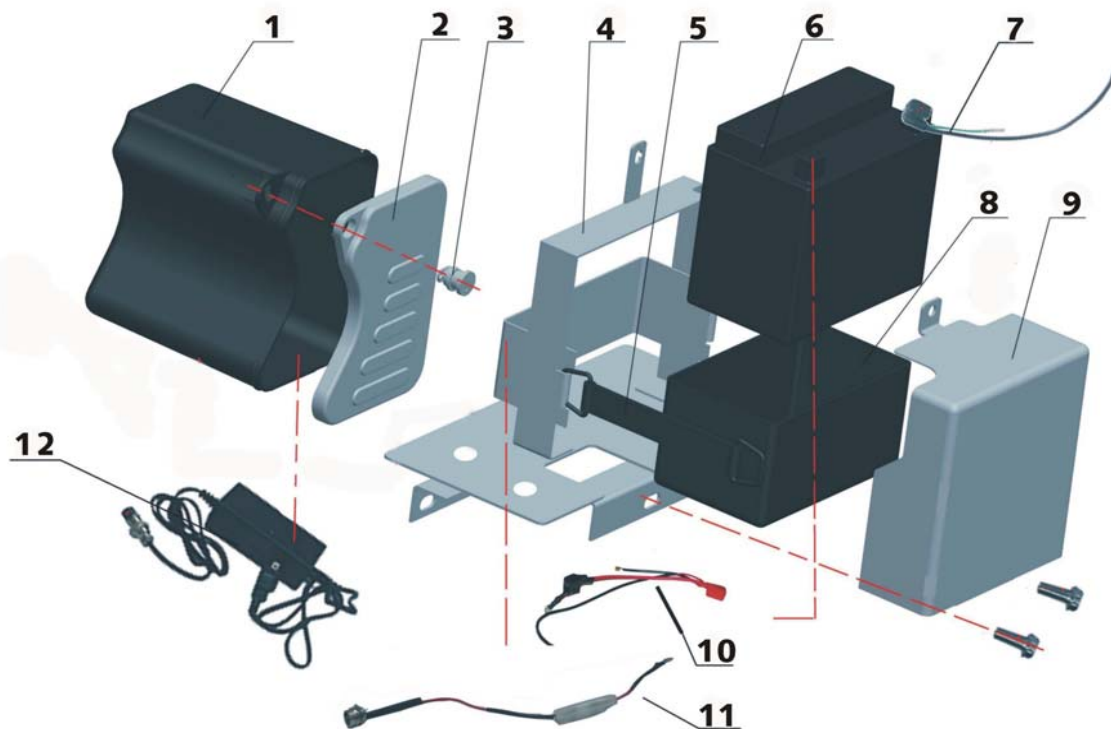
## F-2 Lamps and main cable



s/n	part number	part code	parts english name	parts Chinese name	qty	price	order	note
1	1.57.03.0100300	DD250E-6-0301-003	Headlight bulb 12v35w	前大灯灯泡12v35w	1			
2	1.57.15.0100000	DD250E-6-1501-000	Ignition switch	点火开关总成	1			

3	1.57.03.0500000	DD250E-6-0305-000	Turn signal R. RR	后右转向灯组件	1		
4	1.53.03.0520000	DD300E-6C-0305-200	rear R turn light bracket	后右转向灯安装座组件	1		
5	1.45.03.0600020	DD50E (3B) -0306-000	Tail light cable	尾灯 (加长线)	1		
6	1.01.03.0900300	DD250E-0309-003	Tail light bulb	尾灯灯泡12V23/8W	1		
7	1.53.03.0410000	DD300E-6C-0304-100	rear L turn light bracket	后左转向灯安装座组件	1		
8	1.57.03.0400000	DD250E-6-0304-000	Turn signal L. RR	后左转向灯组件	1		
9	1.56.32.0901100	DD250E-9B-3209-011	relay (delphi EFI)	继电器 (德尔福电喷)	1		
10	1.A7.32.0200000	DD350E-6-3202-000	vice cable(DEL EFI)	副电缆(DEL电喷)	1		
11	1.A7.32.0300000	DD350E-6-3203-000	ECU(DEL)	ECU(DEL)	1		
12	1.A7.32.0100000	DD350E-6-3201-000	main cable (DEL EFI)	主电缆(DEL电喷)	1		
13	1.45.03.0400100	DD50E (3B) -0304-001	Turn signal bulb 12V10W(E)	转向灯灯泡12V10W (E)	4		
14	1.53.03.0200000	DD300E-6C-0302-000	right front turn left set	前左转向灯组件	1		
15	1.53.03.0400100	DD300E-6C-0304-001	front turn light mount	前转向灯固定架	1		
16	1.53.03.0300000	DD300E-6C-0303-000	right front turn light set	前右转向灯组件	1		
17	1.53.03.0100000	DD300E-6C-0301-000	front lamp	前大灯	1		
18	1.45.04.1200000	DD50E (3B) -0412-000	horn(E)	电喇叭(E)	1		
19	2.30.0111.70010	DD150E-4-0111700	Diode	单向导电器	1		
20	1.65.04.0700000	DD125E-5-0407-000	flame switch	熄火开关	1		

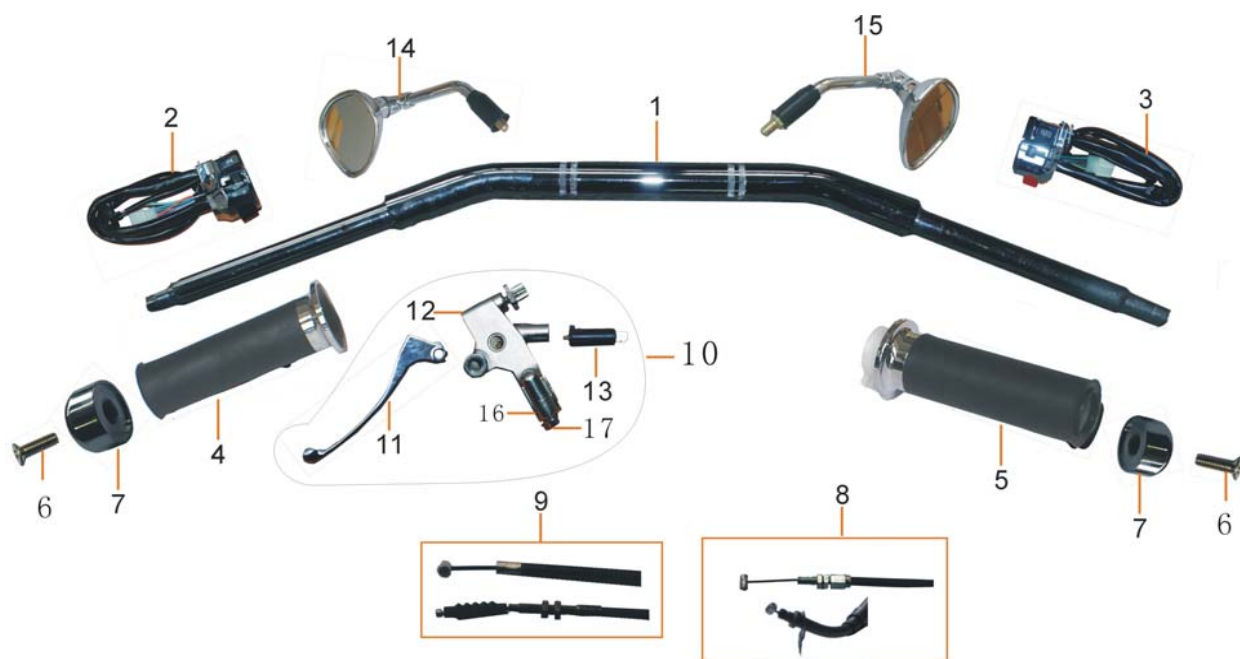
### F-3 Battery and battery bracket



s/n	part number	part code	parts english name	parts Chinese name	qty	price	order	note
1	1.57.15.0000100	DD250E-6-1500-001	tool box body	工具箱体	1			
2	1.57.15.000020C	DD250E-6-1500-002	tool box cover (matte black)	工具箱盖(亚光黑)	1			
3	1.57.15.000030S	DD250E-6-1500-003	tool box lock	工具箱锁扣组件(镀铬)	1			
4	1.57.02.0300000	DD250E-6-0203-000	Battery holder	电瓶托架	1			
5	1.01.04.0000200	DD250E-0400-002	Strap.Battery	扣带(电瓶扣带)	1			
6	1.01.04.0300010	DD250E-0403-000	护Battery free maintanance	蓄电池12V9Ah(协祥)	1			
7	1.01.04.1700000	DD250E-0417-000	Battery cathode anode	蓄电池负极接线	1			
8	1.01.04.0400100	DD250E-0404-001	Battery cover	蓄电池减震护套	1			
9	1.57.04.001000C	DD250E-6-0400-100	Battery box cover (matte black)	蓄电池盒组件(亚光黑)	1			
10	1.56.04.020000A	DD250E-9B-0402-000	Battery positive anode A(EFI)	蓄电池正极接线(电喷)	1			

11	1.57.04.0500100	DD250E-6-0405-001	Charger socket	充电器插座	1			
12	1.57.04.0500000	DD250E-6-0405-000	Charger set	充电器组件	1			

### F-4 handle switch and control cable

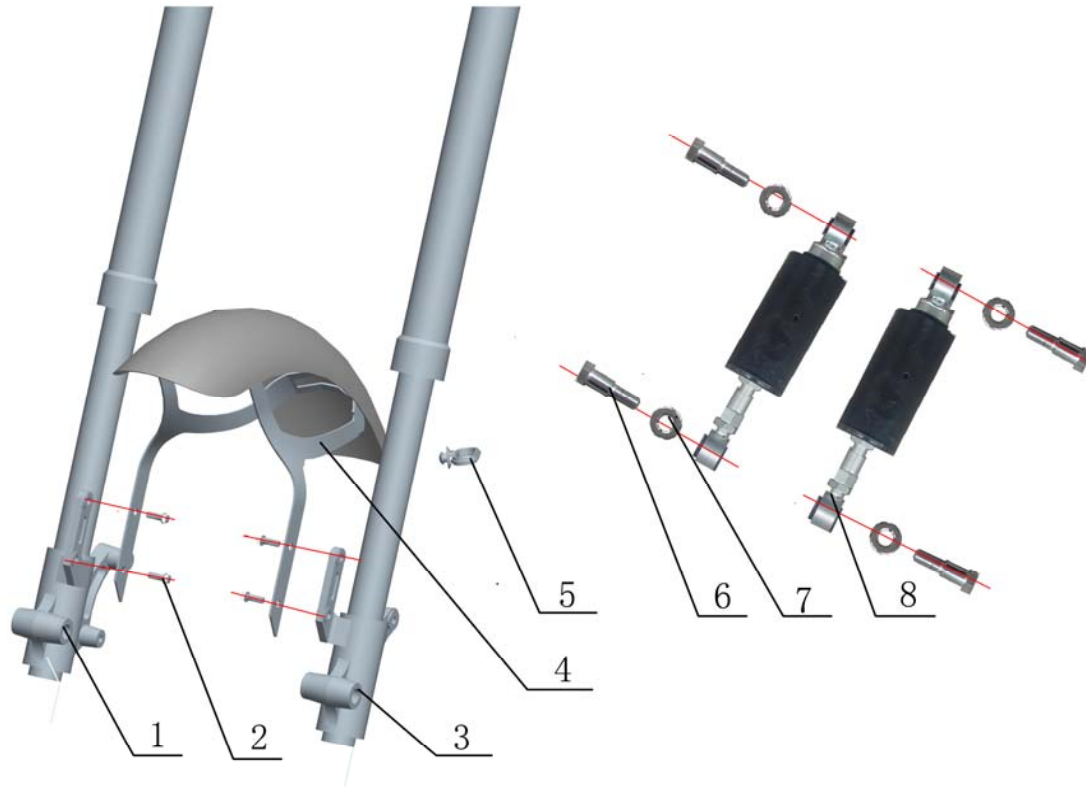


s/n	part number	part code	parts english name	parts Chinese name	qty	price	order	note
-----	-------------	-----------	--------------------	--------------------	-----	-------	-------	------



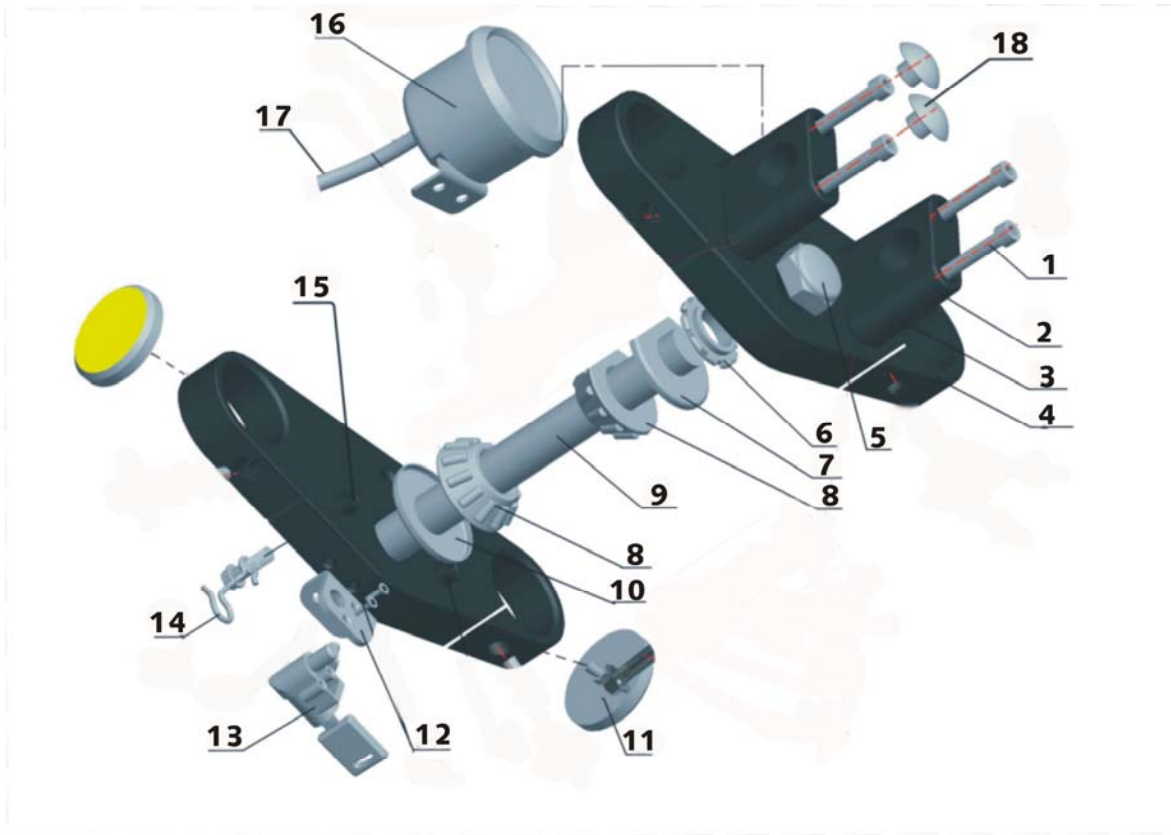


## F-5 Front suspension and front fender.rear shock absorber



s/n	part number	part code	parts english name	parts Chinese name	qty	price	order	note
1	1.53.07.040000C	DD300E-6c-0704-000	Right front suspension black	右前减震器组件(倒置式)黑色	1			
	1.53.07.040000G	DD300E-6c-0704-000	left front suspension silver	右前减震器组件(倒置式)银色	1			
2	1.99.26.060160H	GB5787-86	Bolt M6*16	六角法兰面螺栓M6×16 (镀彩)	4			
3	1.53.07.030000C	DD300E-6c-0703-000	Right front suspension black	左前减震器组件(倒置式)黑色	1			
	1.53.07.030000G	DD300E-6c-0703-000	left front suspension silver	左前减震器组件(倒置式)银色	1			
4	1.53.27.000000E	DD300E-6C-2700-002	front fender (black/grey)	前挡泥板(黑灰)	1			
	1.53.27.000000B	DD300E-6C-2700-002	front fender (white/grey)	前挡泥板(白灰)	1			
5	1.11.27.0000300	DD90E-2700-003	Cable loop	耳环	1			
6	1.57.20.0000200	DD250E-6-2000-002	rear shock bolt	后减震器螺栓	4			
7	1.57.20.000030R	DD250E-6-2000-003	rear shock washer	后减震器垫圈	4			
8	1.57.20.0000010	DD250E-6-2000-000	rear shock(star)	后减震器 (明星)	2			

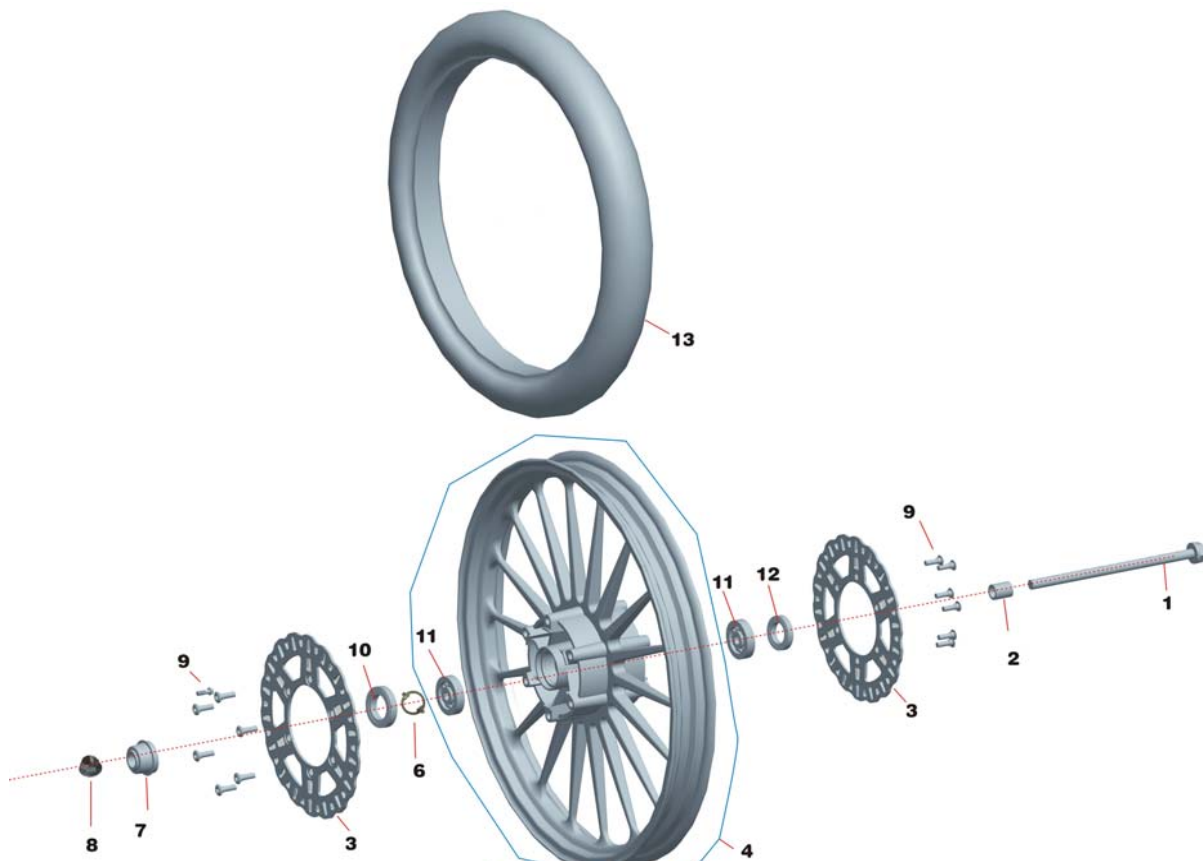
## F-6 stem steering and speedometer



s/n	part number	part code	parts english name	parts Chinese name	qty	price	order	note
1	1.53.06.0000500	DD300E-6C-0600-005	M8×80	M8×80	4			
2	1.53.06.000060C	DD300E-6C-0600-006	riser cap (matte black)	卡子盖 (亚光黑)	2			
3	1.53.06.000070C	DD300E-6C-0600-007	riser (matte black)	卡子座 (亚光黑)	2			
4	1.53.06.010010C	DD300E-6C-0601-001	uppder crown(matte black)	上联板(亚光黑)	1			
5	1.57.07.0000100	DD250E-6-0700-001	Bearings nut M25x1x9.5	轴承螺母M25×1×9.5	1			
6	1.57.06.0000400	DD250E-6-0600-004	M25×1×S1te7m nut M25*1*17	方向柱螺母(转向轴螺母)M25×1×17	1			
7	1.57.07.0000200	DD250E-6-0700-002	Top cover	上盖(电镀)	1			
8	1.99.72.3020500	GB279-88	Bearing30205	轴承30205	2			
9	1.57.07.0100200	DD250E-6-0701-002	Steering axle	转向轴	1			

10	1.57.07.0000400	DD250E-6-0700-004	Lower cover	下盖(电镀)	1		
11	1.01.07.0500000	DD250E-0705-000	Side reflector assy	侧反光器总成	2		
12	1.53.15.0200100	DD300E-6C-1502-001	Stem lock mount	车头锁安装座	1		
13	1.63.15.0200000	DD300E-6-1502-000	Stem lock	车头锁	1		
14	1.53.27.0120100	DD300E-6C-2701-201	Hook	软轴线钩	1		
15	1.53.07.010010C	DD300E-6C-0701-001	bottom tree (matte black)	下联板(亚光黑)	1		
16	1.53.05.0100030	DD300E-6C-0501-300	odometer set (DEL EFI)	里程表组件 (电喷)	1		
17	1.68.05.0200000	DD300G-0502-000	odometer cable	里程表软轴	1		
18	1.66.06.0000900	DD250E-0600-009	Cap button	装饰扣(黑色)	8		

## F-7 Front Wheel



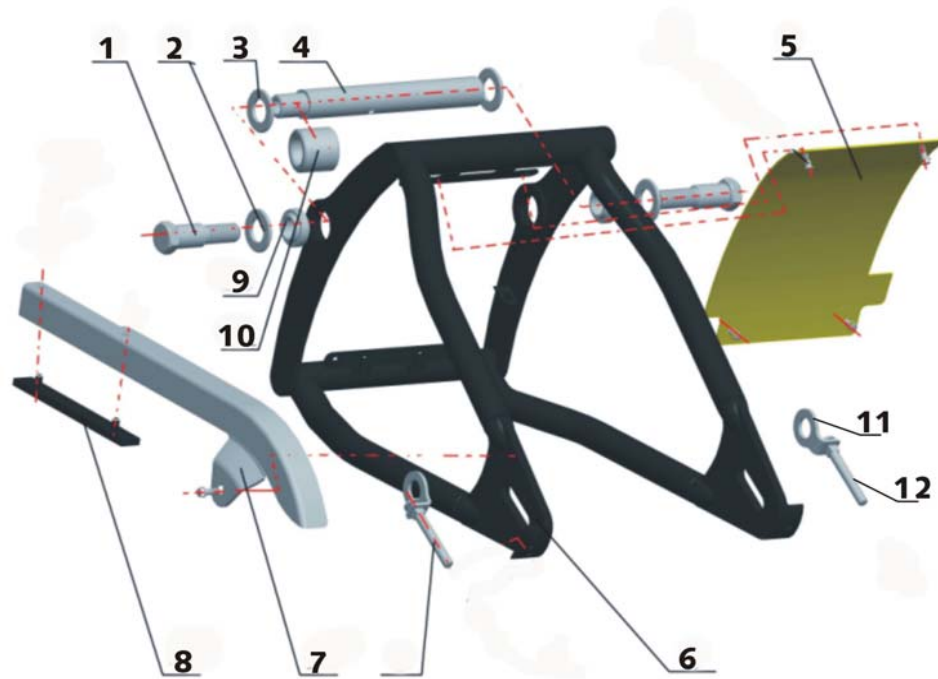
8

3



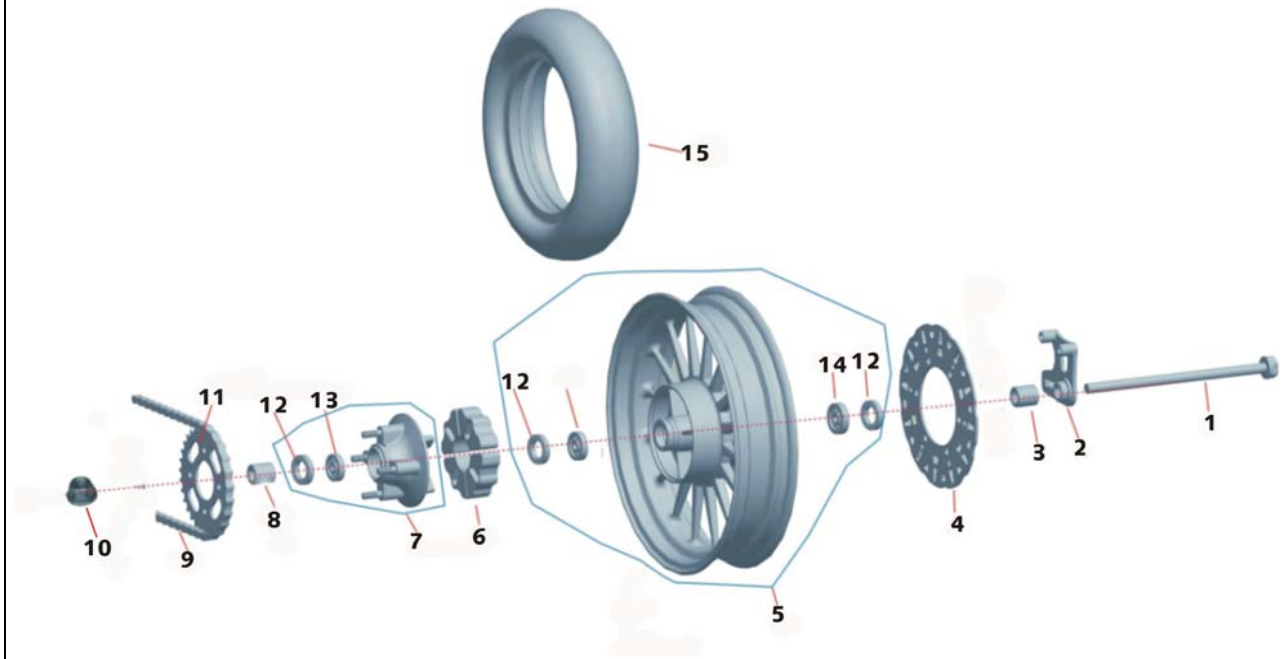
s/n	part number	part code	parts english name	parts Chinese name	qty	price	order	note
1	1.53.08.0000200	DD300E-6C-0800-002	Front wheel axle	前轮轴	1			
2	1.53.08.0000400	DD300E-6C-0800-004	Outer spacer (Φ17×Φ30×30)	前轮外轴套(Φ17×Φ30×30)	1			
3	1.68.08.0000210	DD300G-0800-002	Front discΦ300(II)YLP753A-3BB	前制动盘Φ300(II)YLP753A-3BB	2			
4	1.53.08.010010C	DD300E-6C-0801-001	front rim (MT2.15×21、black)	前铝轮组件 (MT2.15×21、黑)	1			
5	1.01.10.0000500	DD250E-1000-005	Valve nut	气门嘴	1			
6	1.01.08.0400100	DD250E-0804-001	Steering clip	转向卡环	1			
7	1.53.08.0400000	DD300E-6C-0804-000	Counter assy	计数器总成	1			
8	1.56.08.0000200	DD250E-9B-0800-002	Front wheel axle nut	前轮轴螺母 (镀铬)	1			
9	1.01.08.000030R	DD250E-0800-003	Hex inner bolt M8*24	内六角螺钉M8×24(镀白锌)	12			
10	1.53.08.0000300	DD300E-6C-0800-005	seal 40×55×5	油封40×55×5	1			
11	1.99.72.6303100	GB278-86	bearing30*47*5	轴承30*47*5	2			
12	1.53.10.0000400	DD300E-6C-1000-004	Outer oil seal	骨架油封	1			
13	1.53.08.0001200	DD300E-6C-0800-012	front tire (90/90-21) CCC	前轮真空胎 (90/90-21) CCC	1			

## F-8 rear shake and chain cover



s/n	part number	part code	parts english name	parts Chinese name	qty	price	order	note
1	1.57.09.0000200	DD250E-6-0900-002	bolt, arm pivot shaft	后叉轴螺栓	2			
2	1.57.09.0000300	DD250E-6-0900-003	chain protect washer( $\Phi 20 \times \Phi 38 \times 3$ )	后叉轴垫圈( $\Phi 20 \times \Phi 38 \times 3$ )	2			
3	1.57.09.0000500	DD250E-6-0900-005	spacer( $\Phi 20 \times \Phi 40 \times 6$ )	后摇架衬垫( $\Phi 20 \times \Phi 40 \times 6$ )	2			
4	1.57.09.0010000	DD250E-6-0900-100	shake shaft	后摇架轴(电镀)	1			
5	1.57.09.0200100	DD250E-6-0902-001	rear mudguard	后挡泥板	1			
6	1.57.09.0100000	DD250E-6-0901-000	rear shaker	后摇架(黑)	1			
7	1.57.09.0300000	DD250E-6-0903-000	chain cover	链条罩	1			
8	1.57.09.0000300	DD250E-6-0900-003	chain protect washer( $\Phi 20 \times \Phi 38 \times 3$ )	后叉轴垫圈( $\Phi 20 \times \Phi 38 \times 3$ )	1			
9	1.57.09.0000400	DD250E-6-0900-004	bearingGE20ES	轴承GE20ES	2			
10	1.57.09.0010100	DD250E-6-0900-101	chain protect sleeve	链条保护套	1			
11	1.63.10.0400100	DD300E-6-1004-001	adjust bolt	调节器螺杆	2			
12	1.63.10.0400200	DD300E-6-1004-002	adjustment	调节器垫块	2			

## F-9 Rear Wheel

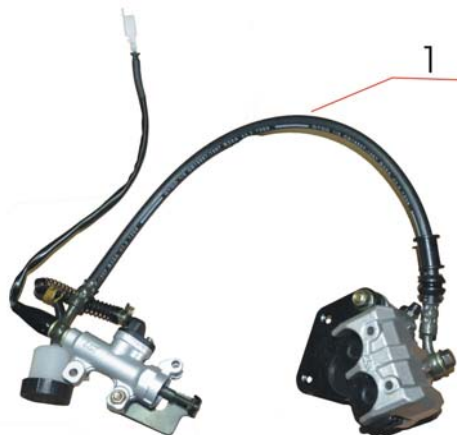


s/n	part number	part code	parts english name	parts Chinese name	qty	price	order	note
1	1.53.10.0400000	DD300E-6C-1004-000	Rear wheel axle( $\Phi 17 \times 291$ )	后轮轴( $\Phi 17 \times 291$ )	1			
2	1.53.10.0300100	DD300E-6C-1003-001	Mount plate.Rear brake pump	后制动泵固定板	1			

3	1.30.10.0001100	DD350E-2-1000-011	Alex sleeve L( $\Phi 17 \times \Phi 30 \times 27$ )	左轴套( $\Phi 17 \times \Phi 30 \times 27$ )	1		
4	1.68.10.0001710	DD300G-1000-017	disk $\Phi 240$ (II)YLP752A-3BB	制动盘 $\Phi 240$ (II)YLP752A-3BB	1		
5	1.53.10.010000C	DD300E-6C-1001-000	rear rim (MT3.75 $\times$ 16、black)	后铝轮组件 (MT3.75 $\times$ 16、黑)	1		
6	1.53.10.0000300	DD300E-6C-1000-003	Buffer	缓冲块	4		
7	1.53.10.0000600	DD300E-6C-1000-006	Buffer assy	缓冲体组件	1		
8	1.30.10.0001400	DD350E-2-1000-014	Alex sleeve R( $\Phi 17 \times \Phi 30 \times 37$ )	右轴套( $\Phi 17 \times \Phi 30 \times 37$ )	1		
9	1.99.79.3001000	GB/T14212-93	chain530H-1 $\times$ 124L(chaohui)	链条530H-1 $\times$ 124L(超汇)	1		
10	1.99.44.1400000	GB6187-86	lock nutM14 $\times$ 1.5	防松螺母M14 $\times$ 1.5	1		
11	1.53.10.0700000	DD300E-6C-1006-000	Chain sprocket 32T big hole	从动链轮组件(32齿、大孔)	1		
12	1.53.10.0000400	DD300E-6C-1000-004	Outer oil seal	骨架油封	3		
13	1.99.72.0600500	GB276-94	bearing 6005RZ	轴承 6005RZ	1		
14	1.99.72.6303100	GB278-86	bearing30*47*5	轴承30*47*5	2		
15	1.57.10.0001600	DD250E-6-1000-016	rear tire160/80-16 (CCC)	后轮真空胎160/80-16 (CCC)	1		

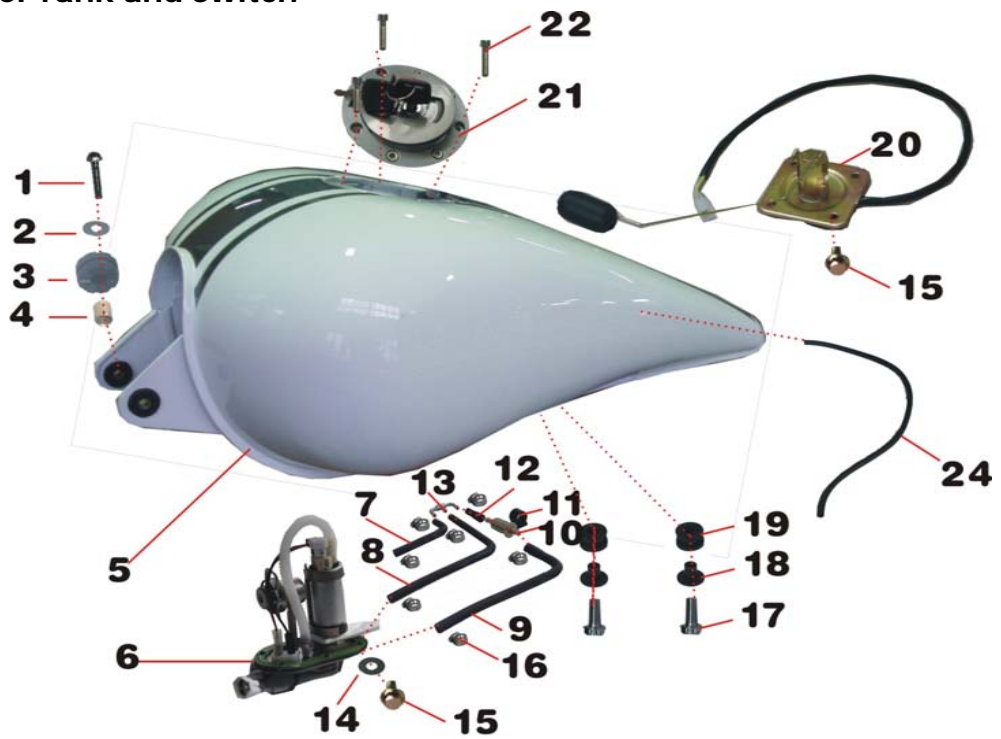


## F-10 Front & rear brake pump assy



s/n	part number	part code	parts english name	parts Chinese name	qty	price	order	note
1	1.65.10.0300000	DD125E-5-1003-000	rear brake pump assy(with oil mirror)	后制动泵总成(带油镜)	1			
2	1.53.08.0200000	DD300E-6C-0802-000	front brake pump assy	前制动泵总成	1			

### F-11 Fuel Tank and switch



s/n	part number	part code	parts english name	parts Chinese name	qty	price	order	note
1	1.01.11.0000600	DD250E-1100-006	Bolt M6*25	螺栓M6×25(镀铬)	4			
2	1.11.11.0000200	DD90E-1100-002	Tank washer(Φ6.5×Φ25×1.5)steelness	油箱垫圈(Φ6.5×Φ25×1.5)不锈钢	4			
3	1.11.11.0000300	DD90E-1100-003	space(Φ7×Φ9×11)	衬套(Φ7×Φ9×11)	4			
4	1.11.11.0000100	DD90E-1100-001	rubber washer	油箱橡胶垫	4			
5	1.53.11.020020B	DD300E-6C-1101-000	fuel tank (white/grey+LM) EFI	油箱(白/灰+大地鹰王)电喷	1			

	1.53.11.020020D	DD300E-6C-1101-000	fuel tank (black/grey+LM) EFI	油箱(黑/灰+大地鹰王)电喷	1		
6	1.56.32.0900000	DD250E-9B-3209-000	oil pump assy (DEL)	油泵总成(DEL)	1		
7	1.A7.32.0900400	DD350E-6-3209-004	oil cableIII(DEL、EFI)	油管III(DEL、电喷)	1		
8	1.A7.32.0900600	DD350E-6-3209-006	oil V (DEL、EFI)	油管V(DEL、电喷)	1		
9	1.A7.32.0900200	DD350E-6-3209-002	oil I (DEL、EFI)	油管I(DEL、电喷)	1		
10	1.56.32.0100000	DD250E-9B-3210-000	Air filter (DELPHI EFI)	汽油滤清器(DELPHI电喷)	1		
11	1.56.32.0100100	DD250E-9B-3201-001	oil air filter mount cover	油气滤清器固定套	1		
12	1.56.32.0900300	DD250E-9B-3209-003	oil cable (II)	油管(II)	1		
13	1.56.32.0900700	DD250E-9B-3209-007	tee I (DEL EFI)	三通管I(德尔福电喷)	1		
14	1.56.32.0900100	DD250E-9B-3209-001	Aluminum padΦ6	铝垫Φ6	6		
15	1.99.27.060120S	GB5789-86(0202-003)	BltM6×12	六角法兰面螺栓M6×12(镀铬)	10		
16	1.56.32.0900800	DD250E-9B-3209-008	clampsΦ13	卡箍Φ13	12		
17	1.01.11.0000600	DD250E-1100-006	boltM6×25	螺栓M6×25(镀铬)	2		
18	2.24.0117.00600	DD250E-9A-0117006	Steel water tank shock absorber set	水箱减震垫钢套	2		
19	2.24.0117.00700	DD250E-9A-0117007	Tank shock absorber	水箱减震垫	2		
20	1.57.05.0200000	DD250E-6-0502-000	Sensor Components	感应器组件	1		
21	1.53.15.0000000	DD300E-6C-1500-000	Lock and lock the front fuel tank assembly	油箱锁及车头锁总成	1		
22	1.99.03.0502200	GB70-85	screwM5×22(steelness)	内六角圆柱头螺钉M5×22(不锈钢)	3		
24	1.61.11.0000300	DD300E-9C-1100-003	Fuel tank leaking pipeΦ7×Φ11	油箱漏水管Φ7×Φ11	1		

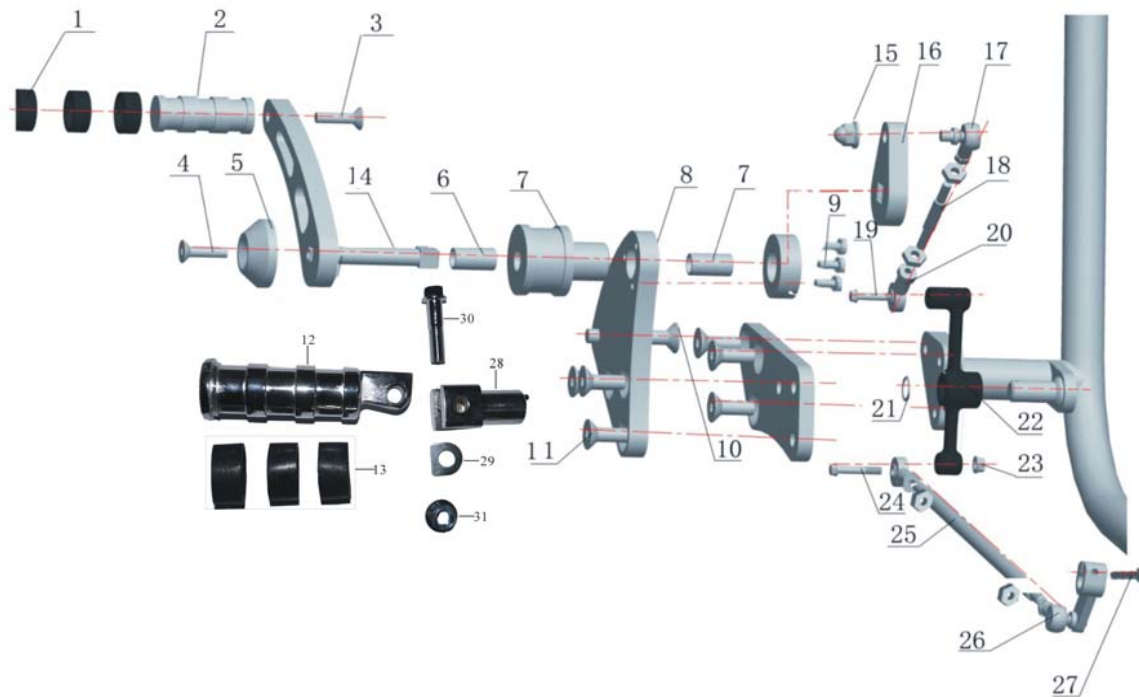
## F-12 Seat Assy



s/n	part number	part code	parts english name	parts Chinese name	qty	price	order	note
1	1.63.13.0100000	DD300E-6-1301-000	dual seat	连体座垫	1			
2	1.57.13.0000800	DD250E-6-1300-008	dual seat rear mounting bracket black	连体座垫后固定板(黑色)	1			
3	1.57.13.0100100	DD250E-6-1301-001	Hinge, L.seat black	主座垫左连接板(黑)	1			
4	1.57.13.0100200	DD250E-6-1301-002	Hinge, R.seat balck	主座垫右连接板(黑)	1			
5	1.99.43.060000H	GB6177-86	Nut M6	六角法兰面螺母M6(镀彩)	6			
6	1.99.27.100150S	GB5789-86	Nut M10×1.5×15	六角法兰面螺栓M10×1.5×15(镀铬)	2			
7	1.99.27.060120S	GB5789-86(0202-003)	Nut M6×12	六角法兰面螺栓M6×12(镀铬)	1			

8	1.99.44.060000S	GB6187-86	Nut M6	全金属六角法兰锁紧螺母M6(镀铬)	1			
---	-----------------	-----------	--------	-------------------	---	--	--	--

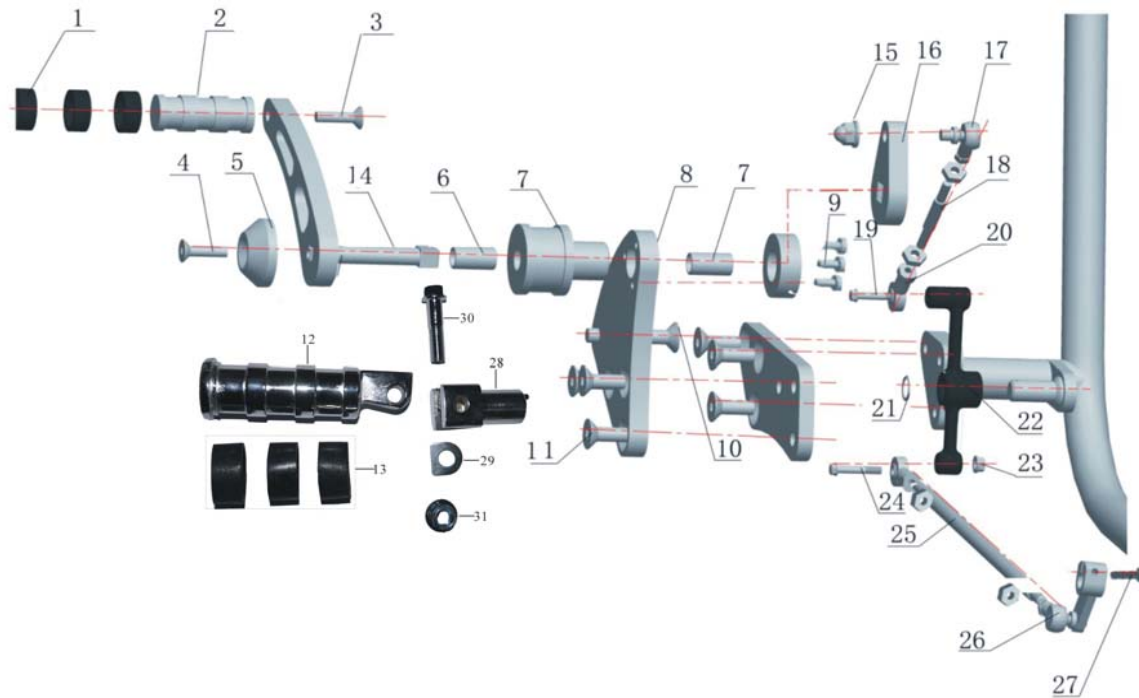
### F-13 Shift gear system assy



s/n	part number	part code	parts english name	parts Chinese name	qty	price	order	note
1	1.57.14.0240400	DD250E-6-1402-404	Rubber sleeve with damper	橡胶套(带减震)	3			
2	1.63.14.0240100	DD300E-6-1402-401	Peg pole (CP)	踏杆(电镀)	1			
3	1.99.02.0802500	GB70.3-2000	screwM8×25	内六角沉头螺钉M8×25	1			

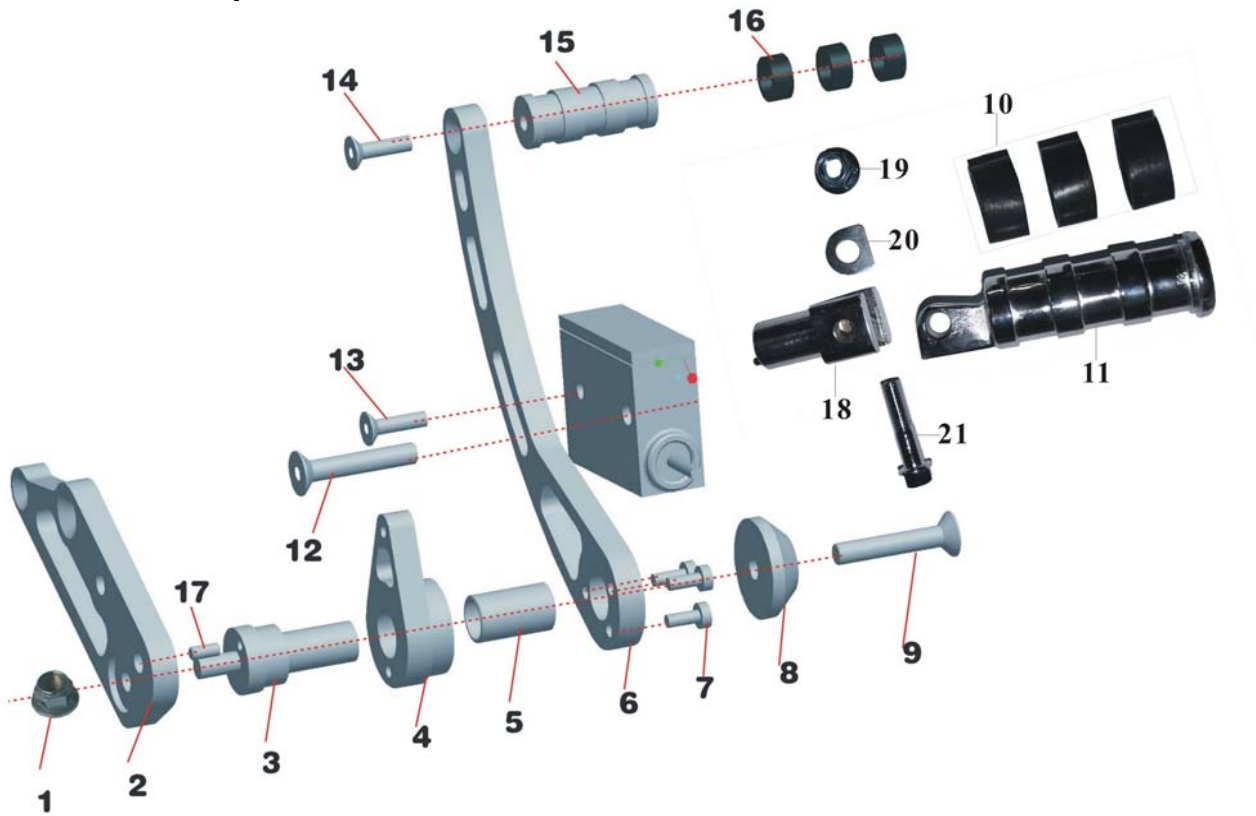
4	1.99.02.0601600	GB70.3-2000	screwM6×16	内六角沉头螺钉M6×16	1		
5	1.57.14.0600100	DD250E-6-1406-001	Connector L	左连接块(电镀)	1		
6	1.57.14.0610200	DD250E-6-1406-102	Alex sleeve smallΦ12×Φ15.4×28	轴套(小)Φ12×Φ15.4×28	2		
7	1.57.14.0610100	DD250E-6-1406-101	Mounting bracket. L (CP)	左固定座(电镀)	1		
8	1.57.14.060040S	DD250E-6-1406-004	Mounting plate. L	左固定板(镀铬)	1		
9	1.99.03.060160S	GB70-85	screwM6×16	内六角圆柱头螺钉M6×16 (镀铬)	3		
10	1.99.02.1004500	GB70.3-2000	screwM10×1.5×45	内六角沉头螺钉M10×1.5×45	1		
11	1.99.02.1002500	GB70.3-2000	screwM10×1.5×25	内六角沉头螺钉M10×1.5×25	6		
12	1.57.14.0250210	DD250E-6-1402-502	Main peg pole folding	主脚蹬杆(折叠式)喷沙银	1		
13	1.57.14.0230300	DD250E-6-1402-303	Rubber sleeve( II)	橡胶套(二)	3		
14	1.57.14.0600200	DD250E-6-1406-002	Shift pole (I)	变速连杆(一)	1		
15	1.01.03.0101300	DD250E-0301-013	nutM8(low cover)steelness	盖形螺母M8(低盖)不锈钢	1		
16	1.57.14.0200600	DD250E-6-1402-006	shift pole	变速连杆	1		
17	1.63.14.0600800	DD300E-6-1406-008	Front joint	前接头	1		
18	1.53.14.0600100	DD300E-6C-1406-001	shift pole	变速摇杆	1		
19	1.01.06.0500500	DD250E-0605-005	bolt M6×25	螺栓M6×25(镀铬)	1		
20	1.57.10.0102000	DD250E-6-1001-020	chain	脚链	2		
21	1.99.63.1500000	GB894.1-86	flexible ring15	轴用弹性挡圈15	1		
22	1.53.14.0600600	DD300E-6C-1406-006	shift pole	变速连杆	1		
23	1.99.44.060000S	GB6187-86	nutM6	全金属六角法兰锁紧螺母M6(镀铬)	1		
24	1.99.26.0603500	GB5787-86 (0202-003)	boltM6×35	六角法兰面螺栓M6×35(镀铬)	1		

## F-13 Shift gear system assy



s/n	part number	part code	parts english name	parts Chinese name	qty	price	order	note
25	1.02.14.0600600	DD250E-9-1406-006	double bolt245mm	双头螺杆245mm	1			
26	1.17.14.0800000	DD150E-2-1408-000	Shake lever assy	摇臂组件	1			
27	1.99.24.0602000	GB5783-86	boltM6×20	六角头螺栓M6×20(镀铬)	1			
28	1.57.14.0250100	DD250E-6-1402-501	Main peg braket	主脚踏安装座	1			
29	1.57.14.0250400	DD250E-6-1402-504	Elastic Gasket	弹性垫片	1			
30	1.01.21.0001100	DD250E-2100-011	boltM10×40	螺栓M10×40	1			
31	1.99.44.100000S	GB6187-86	self lockM10×1.25	自锁螺母M10×1.25(镀铬)	1			

## F-14 Rear brake pole

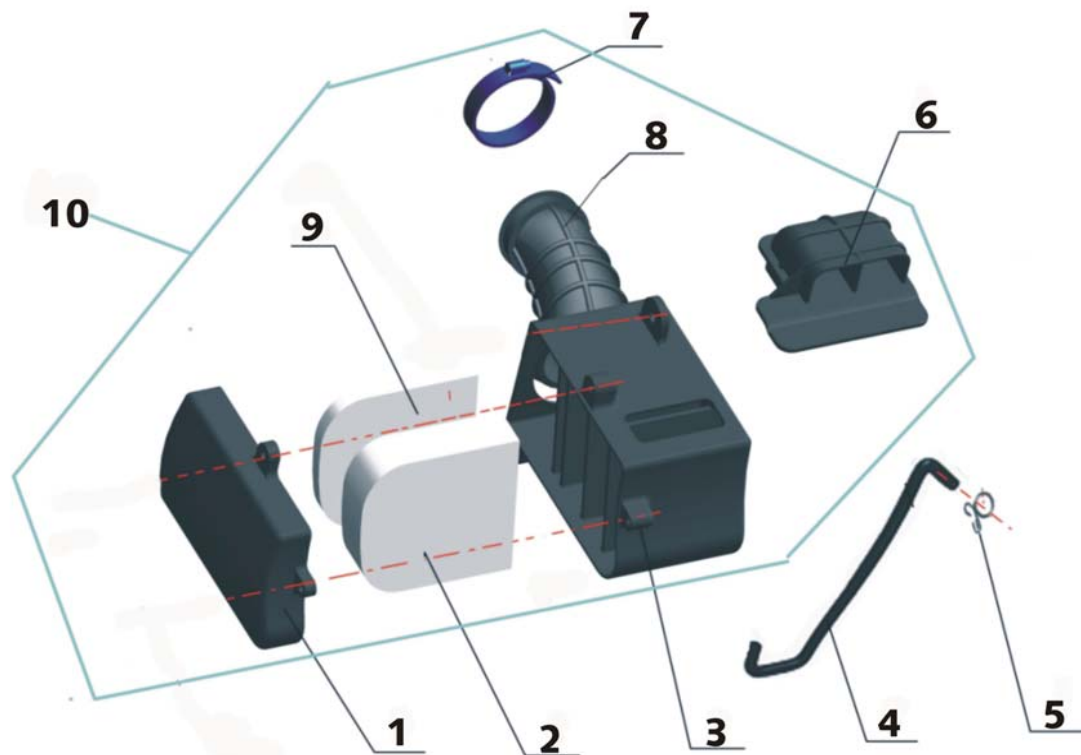


s/n	part number	part code	parts english name	parts Chinese name	qty	price	order	note
1	1.99.44.100000R	GB6187-86	Self-locking nut M10*1.25	锁紧螺母M10×1.25(镀白锌)	1			
2	1.57.14.020010S	DD250E-6-1402-001	Mounting bracket. R (CP)	右固定板(镀铬)	1			
3	1.57.14.0200000	DD250E-6-1402-000	Control spacer	固定杆堵头	1			
4	1.57.14.0220000	DD250E-6-1402-200	Pole bracket. Rear brake	后制动连杆座	1			
5	1.57.14.0220200	DD250E-6-1402-202	Spacer (big)(Φ19×Φ22×38)	轴套(大)(Φ19×Φ22×38)	1			



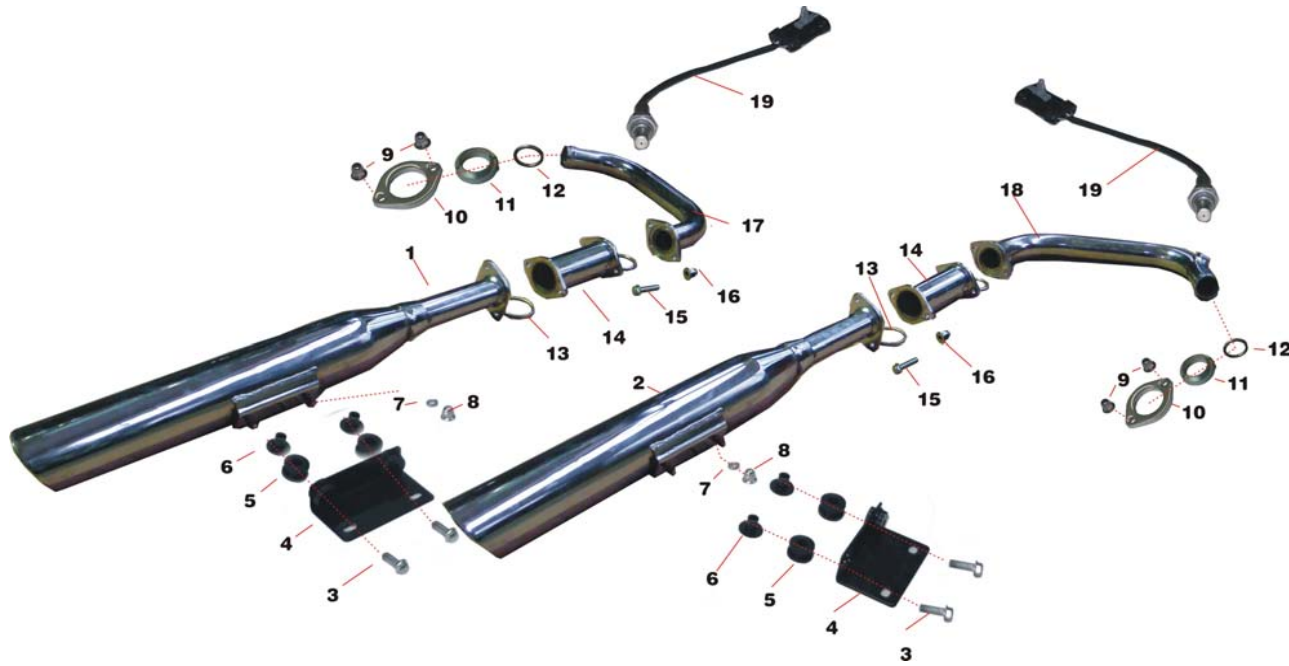
6	1.57.14.0200200	DD250E-6-1402-002	Rear brake pole	后制动连杆	1		
7	1.99.03.060160S	GB70-85	screwM6×16	内六角螺钉M6×16 (镀铬)	3		
8	1.57.14.0200300	DD250E-6-1402-003	Connector block. R	右连接块(电镀)	1		
9	1.99.02.1003500	GB70.3-2000	screwM10×1.5×35	内六角沉头螺钉M10×1.5×35	1		
10	1.57.14.0240400	DD250E-6-1402-404	Rubber sleeve with damper	橡胶套(带减震)	3		
11	1.63.14.0230100	DD300E-6-1402-301	Main peg pole	主脚踏杆	1		
12	1.99.02.1008000	GB70.3-2000	screwM10×1.5×80	内六角沉头螺钉M10×1.5×80	1		
13	1.99.02.0803500	GB70.3-2000	screwM8×35	内六角沉头螺钉M8×35	1		
14	1.99.02.0802500	GB70.3-2000	screwM8×25	内六角沉头螺钉M8×25	1		
15	1.63.14.0240100	DD300E-6-1402-401	peg pole(CP)	踏杆(电镀)	1		
16	1.57.14.0240300	DD250E-6-1402-403	Rubber sleeve (four)	橡胶套(四)	3		
17	1.57.14.0220300	DD250E-6-1402-203	Pin(Φ6×18)	销子(Φ6×18)	1		
18	1.57.14.0250100	DD250E-6-1402-501	main peg mounting braket	主脚踏安装座	1		
19	1.01.21.0001100	DD250E-2100-011	boltM10×40	螺栓M10×40	1		
20	1.99.44.100000S	GB6187-86	selt lockM10×1.25	自锁螺母M10×1.25(镀铬)	1		

## F-15 Air filter assy



s/n	part number	part code	parts english name	parts Chinese name	qty	price	order	note
1	1.63.17.0001300	DD300E-6-1700-013	Air filter upper shell	空滤器外壳盖	1			
2	1.63.17.0001100	DD300E-6-1700-011	Air filter core	空滤器芯	1			
3	1.63.17.0001400	DD300E-6-1700-014	Air filter bottom shell	空滤器壳体	1			
4	1.63.17.0000500	DD300E-6-1700-005	circuit pipe	废气循环管	1			
5	1.01.11.0000200	DD250E-1100-002	Lock ring 8	锁紧圈	1			
6	1.A7.17.0000200	DD350E-6-1700-002	Air filter outlet pipe (DEL EFI)	空滤器出风管 (DEL电喷)	1			
7	1.01.17.0000100	DD250E-1700-001	Hoop	管箍	1			
8	1.01.17.0000200	DD250E-1700-002	Air filter outlet pipe	空气过滤器出风管	1			
9	1.63.17.0001200	DD300E-6-1700-012	Screen, filter	过滤网	1			
10	1.A7.17.0000000	DD350E-6-1700-000	FiLter set(DEL、EFI)	空滤器总成(DEL、电喷)	1			

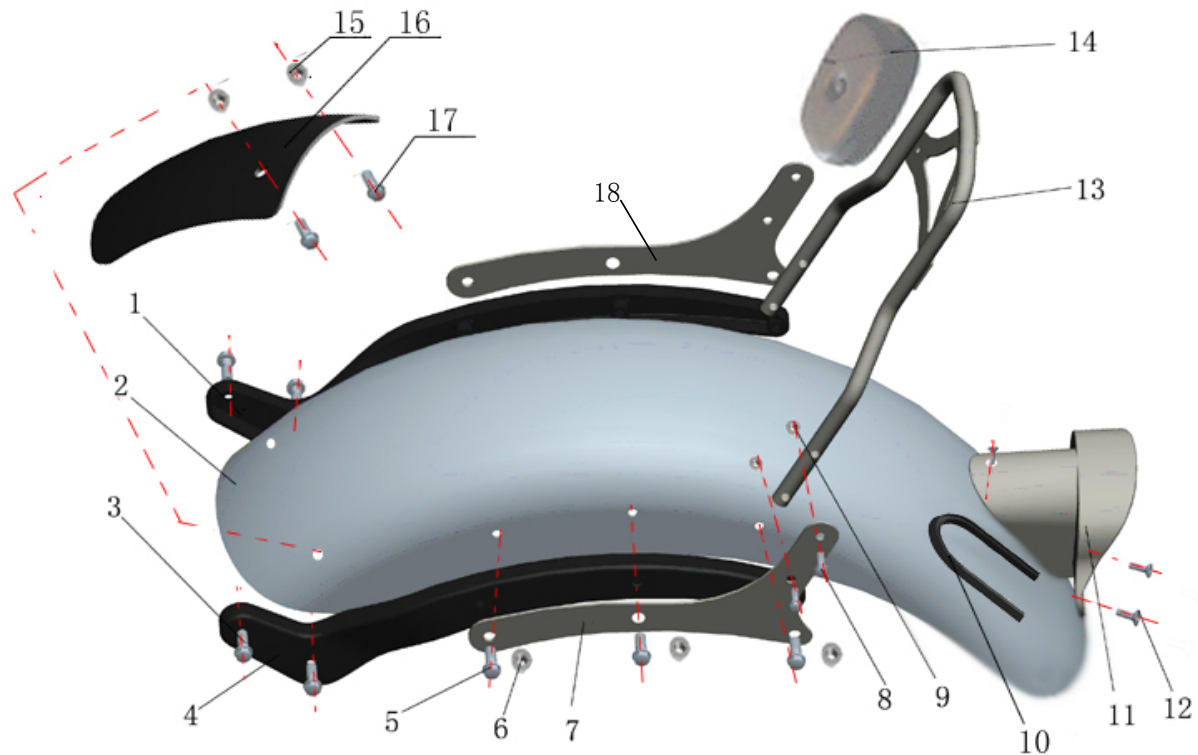
## F-16 Exhaust pipe assy



s/n	part number	part code	parts english name	parts Chinese name	qty	price	order	note
1	1.63.18.0100200	DD300E-6-1801-002	left rear exhaust	左后排气管组件	1			
2	1.63.18.0200200	DD300E-6-1802-002	right rear exhaust pipe	右后排气管组件	1			
3	1.99.24.0802500	GB5783-86	boltM8×25steelness	六角头螺栓M8×25(不锈钢)	4			

4	1.57.18.0300000	DD250E-6-1803-000	mounting plate R	排气管安装板右	2		
5	1.01.18.0000600	DD250E-1800-006	Mat block	垫块	4		
6	1.01.18.0000500	DD250E-1800-005	Sleeve	衬套	4		
7	1.99.56.080000S	GB93-87	stanard foldind washer8 steelness	标准型弹性垫圈8(不锈钢)	4		
8	1.01.03.0101300	DD250E-0301-013	cap nutM8(low cover)steelness	盖形螺母M8(低盖)不锈钢	4		
9	1.01.18.0000300	DD250E-1800-003	Cap nut M8.Exhaust	排气管盖形螺母M8(高盖)	4		
10	1.01.18.0000100	DD250E-1800-001	Exhaust flange	连接板	2		
11	1.01.18.0300000	DD250E-1803-000	tube ends	管端	2		
12	1.01.18.0000210	DD250E-1800-002	Seal washer. Exhaust	排气管密封垫(铁)	2		
13	1.10.18.0300200	DD125E-1800-002	Seal washer. Exhaust( $\Phi 43 \times \Phi 52$ )	排气管密封垫( $\Phi 43 \times \Phi 52$ )	4		
14	1.10.18.0310000	DD125E-1803-100	exhaust pipe joint	排气管连接套管	2		
15	1.99.26.0602200	GB5787-86	bolt M6 $\times$ 22	六角法兰面螺栓M6 $\times$ 22(镀铬)	8		
16	1.01.03.0100400	DD250E-0301-004	cap nutM6	盖形螺母M6	8		
17	1.63.18.0100100	DD300E-6-1801-001	exhaust pipe	左前排气管组件	1		
18	1.63.18.0200100	DD300E-6-1802-001	exhaust pipe	右前排气管组件	1		
19	1.A7.32.0600000	DD350E-6-3206-000	oxgen sensor(DEL)	氧传感器(DEL)	2		

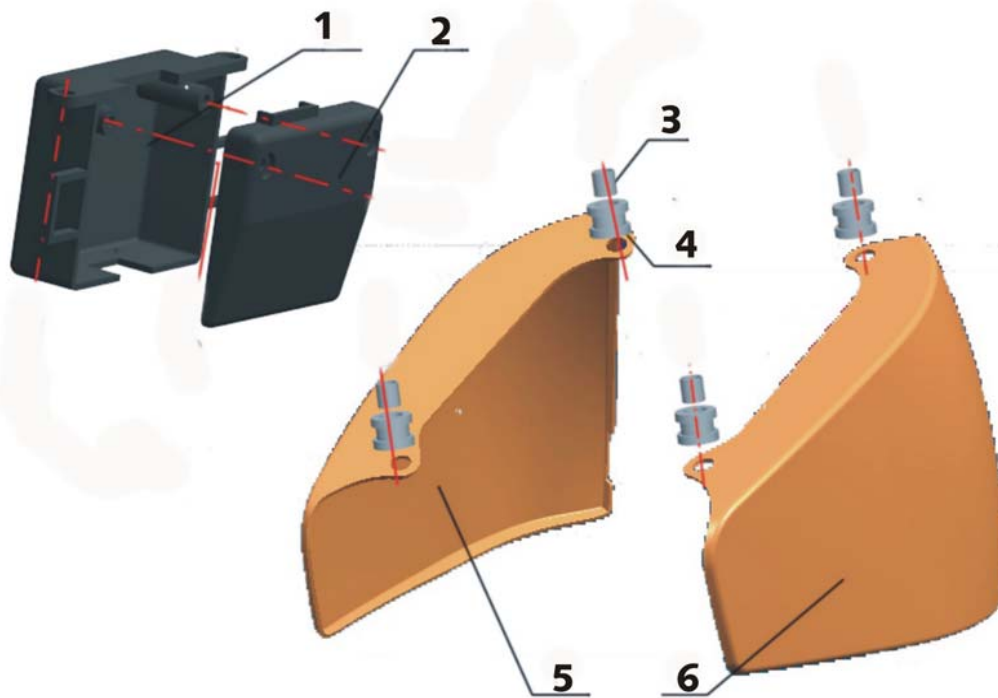
**F-17 Rear fender assy**



s/n	part number	part code	parts english name	parts Chinese name	qty	price	order	note
1	1.53.21.000080C	DD300E-6C-2100-008	rear fender support bracket matte balck	后轮罩支撑架(右)亚光黑	1			
2	1.53.21.000001C	DD300E-6C-2100-000	Rear fender (black/grey)	后轮罩壳(黑灰)	1			
	1.53.21.000000B	DD300E-6C-2100-000	Rear fender (white/grey)	后轮罩壳(白灰)	1			
3	1.99.27.100250S	GB5789-86	boltM10×1.5×25	六角法兰面螺栓M10×1.5×25(镀铬)	4			
4	1.53.21.000080C	DD300E-6C-2100-008	rear fender support bracket L matte balck	后轮罩支撑架(左)亚光黑	1			
5	1.99.27.0801600	GB5789-86(0200-007)	bolt M8×16	六角法兰面螺栓M8×16(镀铬)	6			
6	1.99.43.0800000	GB6177-86	nut M8	六角法兰面螺母M8(镀白锌)	6			
7	1.53.13.0000100	DD300E-6C-1300-001	sissy side bracket L	靠背支架(左)	1			
8	1.99.27.0801600	GB5789-86(0200-007)	boltM8×16	六角法兰面螺栓M8×16(镀铬)	4			
9	1.01.03.0101300	DD250E-0301-013	cap nutM8(low cover)steelness	盖形螺母M8(低盖)不锈钢	4			
10	1.56.11.0400200	DD250E-9B-1104-002	rubber	油箱罩橡胶条	1			
11	1.53.21.0002200	DD300E-6C-2100-022	Tail light mount bracket	尾灯架(铝)	1			
12	1.99.03.0502000	GB70-85	screwM5×20steelness	内六角圆柱头螺钉M5×20(不锈钢)	3			

13	1.65.13.0500000	DD125E-5-1305-000	Backrest bracket seprate	靠背架(分体式)	1			
14	1.63.13.0400000	DD300E-6-1304-000	Backrest pad	靠背垫	1			
15	1.99.44.060000R	GB6187-86	nut M6	全金属六角法兰锁紧螺母M6(镀锌)	2			
16	1.57.09.0200100	DD250E-6-0902-001	back fender	后挡泥板	1			
17	1.99.27.060120H	GB5789-86(0202-003)	bolt M6×12	六角法兰面螺栓M6×12(五彩)	2			
18	1.53.13.0000200	DD300E-6C-1300-002	sissy side bracket R	靠背支架(右)	1			

### F-18 Side cover and wire box



s/n	part number	part code	parts english name	parts Chinese name	qty	price	order	note
1	1.11.06.0000500	DD90E-0600-005	wire box	接线盒壳体	1			

2	1.11.06.0000400	DD90E-0600-004	wire box cover	接线盒盖	1			
3	1.01.02.0200400	DD250E-0202-004	Rubber ring( I )	橡胶圈( I )	4			
4	1.57.16.0100200	DD250E-6-1602-002	sleeveΦ6.5×Φ9×7.5	隔套Φ6.5×Φ9×7.5	4			
5	1.57.16.010001C	DD250E-6-1601-000	left side cover matte black	左护板(亚光黑)	1			
6	1.57.16.020001C	DD250E-6-1602-000	right side cover matte black	右护板(亚光黑)	1			

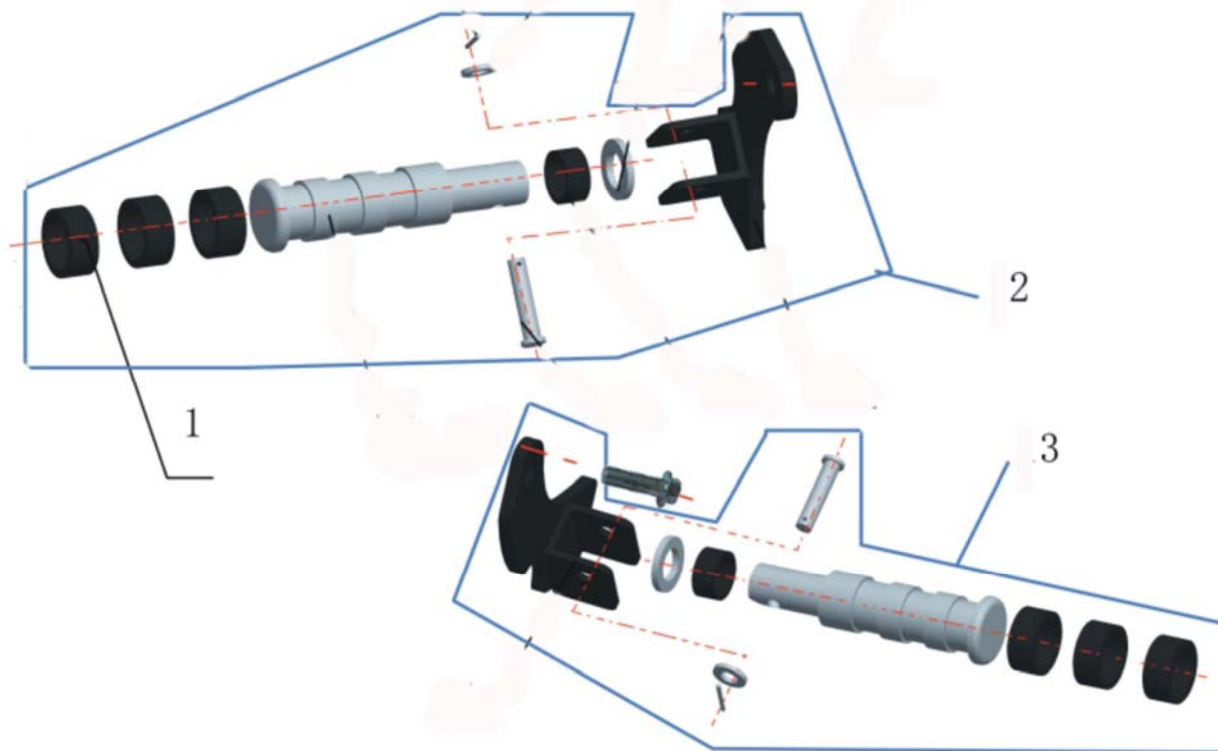
### F-19 Water bottle



s/n	part number	part code	parts english name	parts Chinese name	qty	price	order	note
-----	-------------	-----------	--------------------	--------------------	-----	-------	-------	------

1	1.23.00.0000300	DD250E-9A-000-003	Radiator cap	水壶盖	1			
2	1.99.04.0601200	GB818-85	screw M6×12	十字槽盘头螺钉M6×12	1			
3	1.23.00.0000100	DD250E-9A-0000-001	Radiator down	水壶下体	1			
4	1.17.18.0400500	DD150E-2-1804-005	Hoop 17 army green	卡箍(φ17)军绿	2			
5	1.63.00.0000500	DD300E-6-0000-005	radiator filler hose(bent)	水壶连接管(弯管)	1			
6	1.63.00.0000100	DD300E-6-0000-001	Water bottle	水壶	1			
7	1.63.00.0000200	DD300E-6-0000-002	kettle cover	水壶罩	1			
8	1.99.27.060120H	GB5789-86(0202-003)	bolt M6×12	六角法兰面螺栓M6×12(五彩)	1			

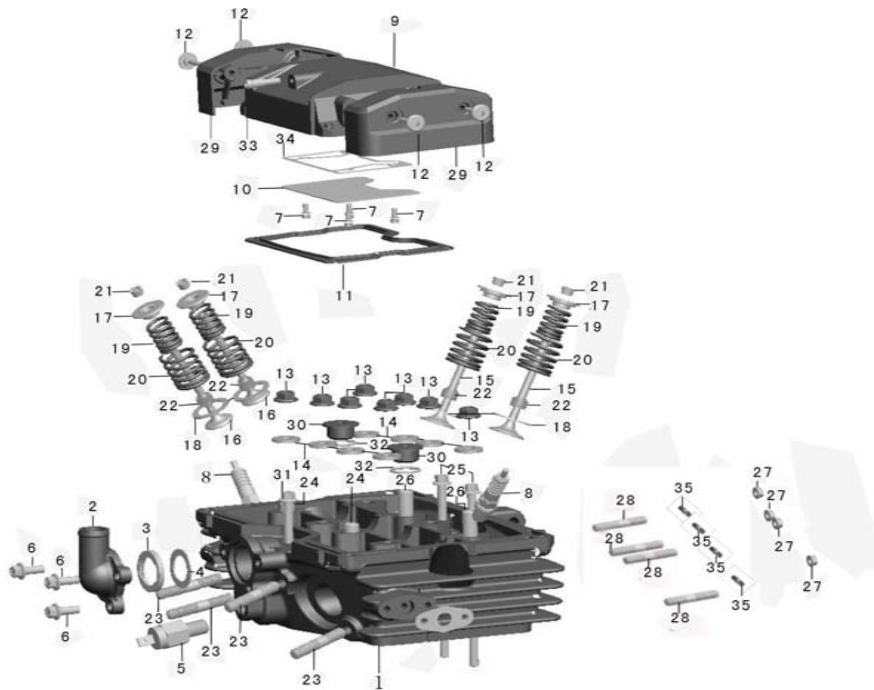
### F-20 Side pedal set





s/n	part number	part code	parts english name	parts Chinese name	qty	price	order	note
1	1.57.14.0230300	DD250E-6-1402-303	Rubber sleeve( II)	橡胶套(二)	6			
2	1.63.19.111030R	DD300E-6-1911-103	side foot pedal assy. L black	左副脚踏组件(黑色)	1			
3	1.63.19.121030R	DD300E-6-1912-103	side foot pedal assy. R black	右副脚踏组件(黑色)	1			

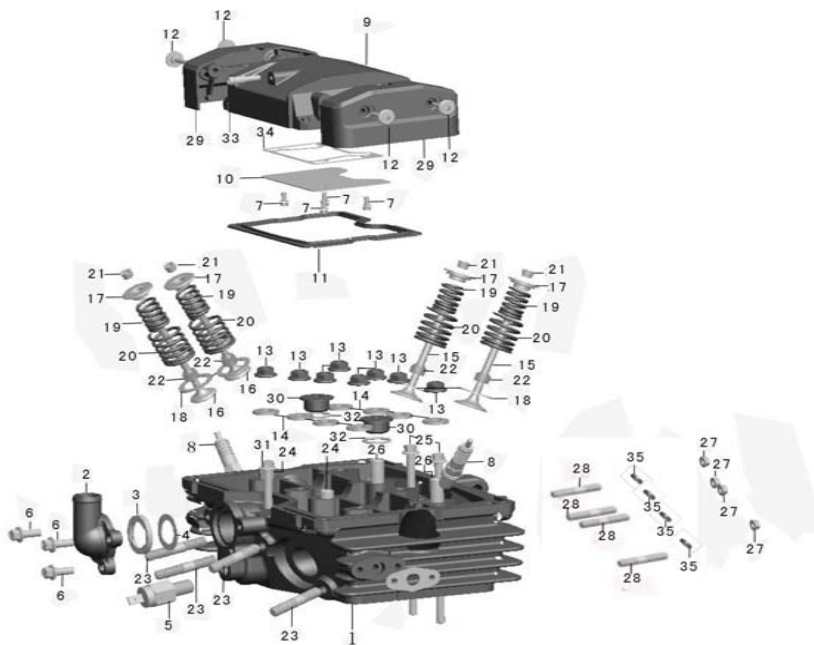
## E-1 Cylinder head assembly



s/n	part number	part code	parts english name	parts Chinese name	qty	price	order	note
1	2.22.0101.10020	DD262MP-0101101	Head comp ,cylinder matte black	气缸盖组件(亚光黑)国三	1			
2	2.22.0101.02508	DD262MP-0101025	hose connector,cyliner,black	缸盖出水管接头	1			
3	2.23.0117.3220	DD250E-9-0117322	rusher,thermosat	节温器密封圈	1			
4	2.23.0117.3221	DD250E-9-0117321	rubber seat,thermosat	节温器橡胶垫	1			
5	2.23.0117.31000	DD250E-9-0117310A	tem sensor	水温传感器	1			
6	2.20.0108.0040S	DD250E-0108004A	bolt M6X16	螺栓M6X16	3			

7	2.99.26.060120R	GB/T5783-2000	bolt M6×12	螺栓M6×12	4			
8	2.20.0101.50020	DD250E-0101500	NGK	火花塞	2			
9	2.19.0101.00108	DD300A-0101001	Cover, cylinder head matte black	气缸盖罩(亚光黑)	1			
10	2.19.0101.04200	DD300A-0101042	coverplate,cyliner cover	气缸盖罩盖板	1			
11	2.20.0101.00300	DD250E-0101003A	packing ,head cover	气缸盖罩密封垫片	1			
12	2.20.0101.0040S	DD250E-0101004A	Connect screw of cover	气缸盖罩连接螺钉	4			
13	2.20.0101.0050R	DD250E-0101005B	Nut, hex M8	气缸盖螺母M8	8			
14	2.20.0101.0060R	DD250E-0101006A	Washer 8	平垫圈8	8			
15	2.22.0101.00700	DD262MP-0101007	Valve, in	进气门	2			
16	2.22.0101.00800	DD262MP-0101008	Valve, ex	排气门	2			
17	2.20.0101.00900	DD250E-0101009B	Retainer, valve spring	气门弹簧上座圈	4			
18	2.20.0101.01100	DD250E-0101011A	Seat, valve spring outer	气门弹簧下座圈	4			
19	2.25.0101.01200	DD300E-0101012	Spring, valve inner	气门内弹簧	4			

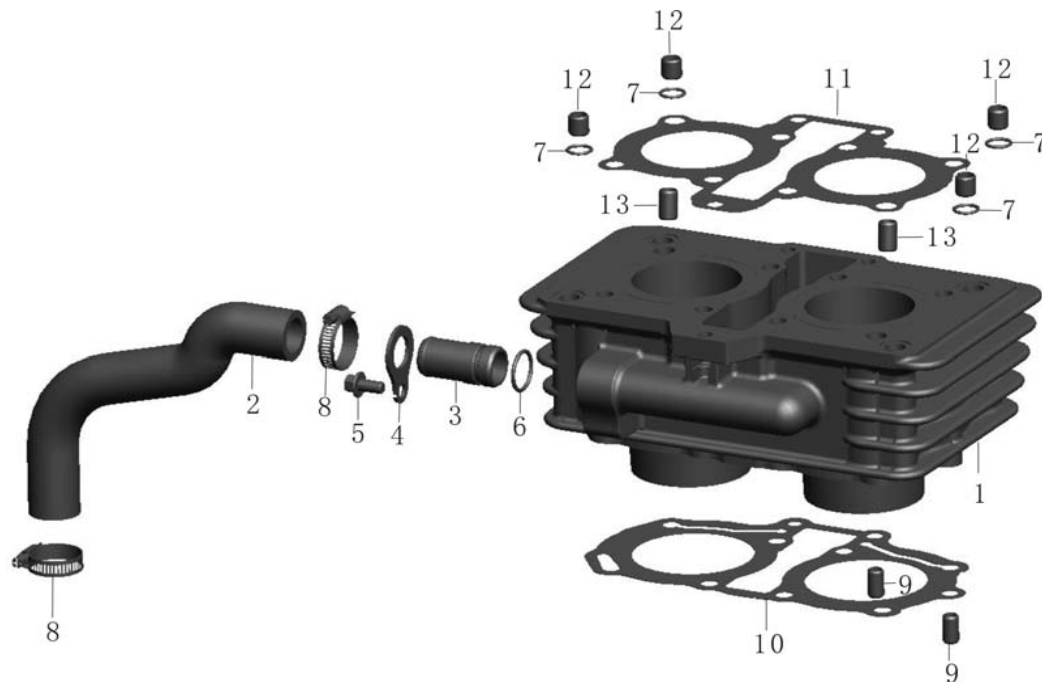
## E-1 Cylinder head assembly



s/n	part number	part code	parts english name	parts Chinese name	qty	price	order	note
20	2.20.0101.01300	DD250E-0101013	Spring, valve outer	气门外弹簧	4			
21	2.20.0101.01400	DD250E-0101014B	Cotter, valve	气门锁夹	8			
22	2.20.0101.02000	DD250E-0101120A	Seal, valve stem	气门导管油封	4			
23	2.20.0101.0150R	DD250E-0101015A	Bolt stud of escape pipe	排气管双头螺柱M8X45	4			
24	2.20.0101.01600	DD250E-0101016A	Pin, dowel 10×16	定位销Φ10×16	2			
25	2.20.0101.0170R	DD250E-0101017A	Bolt M6×145	螺栓M6×145	2			

26	2.20.0101.01900	DD250E-0101019A	Pin, dowel 10×28	长定位套10×28	2			
27	2.99.43.060000R	GB/T 61772-2000	nut M6-ZnD	螺母M6-ZnD	2			
	2.99.42.060000R	GB6170-86	nut M6-ZnD	螺母M6-ZnD	2			
28	2.23.0101.0220R	DD150E-4-0101022	double bolt M6×35	双头螺柱M6×35	4			
29	2.23.0101.02309	DD250E-9-0101023	Side cover, cylinder head matte black	气缸盖罩侧盖(亚光黑)	2			
30	2.33.0101.10700	DD150E-8-0101107	Bolt stops	内六角螺塞	2			
31	2.23.0101.0180S	DD250E-9-0101018	blt M6×83	螺栓M6×83	1			
32	2.23.0101.10100	DD250E-9-0101101	O-ringΦ15.2x2.5	O形圈Φ15.2X2.5	2			
33	2.20.0103.1090R	DD250E-0103109	Rubber pipe cover	皮管套	1			
34	2.19.0101.04100	DD300A-0101041	gasket,cyliner cover (non asbestos)	气缸盖罩盖板纸垫	1			
35	2.20.0104.01400	DD250E-0104014A	washer 6	垫圈6	4			

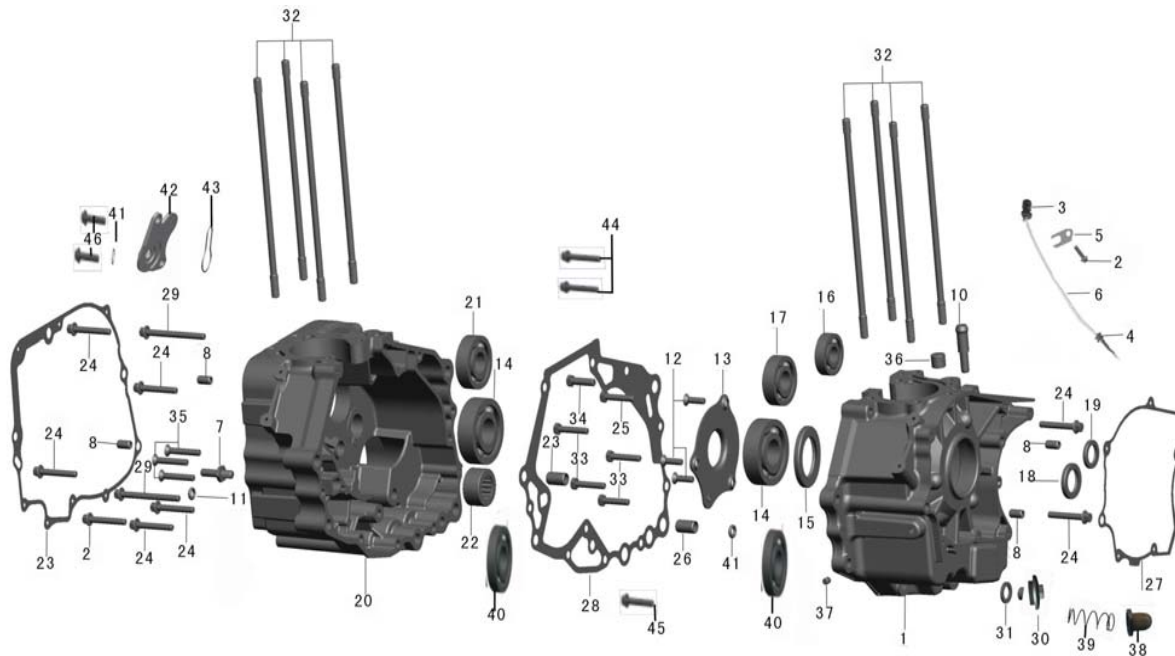
## E-2: Cylinder assembly



s/n	part number	part code	parts english name	parts Chinese name	qty	price	order	note
1	2.22.0102.10007	DD262MP-0102100	Cylinder comp matte black	气缸体组件(亚光黑)	1			
2	2.23.0102.00410	DD253MM-0102004	Hose, cylinder	缸体进水管	1			
3	2.23.0101.0250S	DD250E-9-0101025	Hose connector	水管接头	1			

4	2.23.0101.0240S	DD250E-9-0101024	Hose connector setting plate	水管接头压板	1			
5	2.99.26.060120S	GB5787-86	bolt M6×12	螺栓M6×12	1			
6	2.23.0101.02600	DD250E-9-0101026	O-ringΦ17X2	O形圈Φ17X2	1			
7	2.20.0101.10300	DD250E-0101103A	O-ringΦ10×1.6	O形圈Φ10×1.6	4			
8	2.23.0117.01000	DD250E-9-0117010	Hose clip	管夹	2			
9	2.20.0102.00100	DD250E-0102001	pin Φ8×14	定位销Φ8×14	2			
10	2.22.0102.00200	DD262MP-0102002	Gasket , cylinder down	气缸下垫片	1			
11	2.22.0102.00300	DD262MP-0102003	Gasket , cylinder up	气缸上垫片	1			
12	2.23.0102.00600	DD250E-9-0102006	Pin, dowel Φ10×10	定位销Φ10×10	4			
13	2.20.0101.01600	DD250E-0101016A	Pin, dowel Φ10×16	定位销Φ10×16	2			

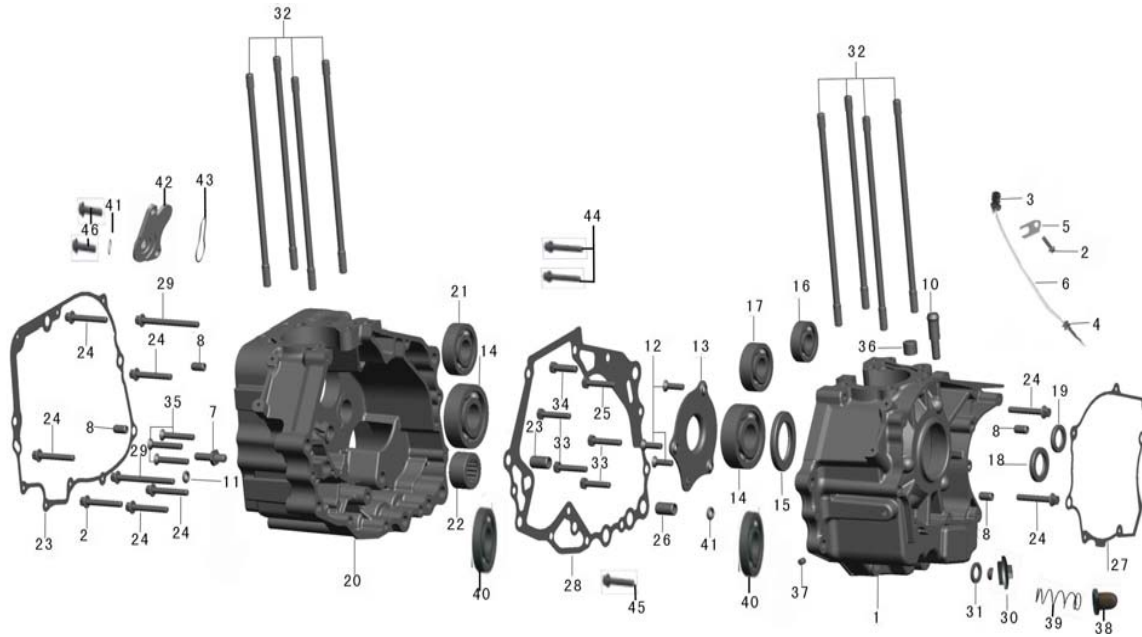
### E-3: Crankcase assembly



s/n	part number	part code	parts english name	parts Chinese name	qty	price	order	note
1	2.22.0103.1901S	DD262MP-0103190B	Left crankcase matte black balance shaft	左曲轴箱(亚光黑)平衡轴	1			
2	2.99.26.060120R	GB/T5783-2000	step bolt M6×12	台阶螺栓M6×12	1			
3	2.20.0103.10300	DD250E-0103103	Neutral transmishion indercator	空挡指示器	1			
4	2020.0103.10400	DD250E-0103104A	Neutral jacket, outlet	空挡指示器输出线护套	1			

5	2020.0103.10500	DD250E-0103105A	Neutral Indicator Pressure strip	空挡指示器压线板	1		
6	2020.0103.10600	DD250E-0103106A	Neutral gear indicator line	空挡指示器线	1		
7	2.20.0103.02200	DD250E-0103022A	Pin, shift	顶柱	1		
8	2.20.0102.00100	DD250E-0102001	pin dowel $\phi 8 \times 14$	定位销 $\phi 8 \times 14$	4		
10	2.20.0103.1090R	DD250E-0103109	Rubber pipe cover	皮管套	1		
11	2.20.0103.11100	DD250E-0103111A	O-ring 6×3	O型圈6×3	2		
12	2.99.05.060160R	GB/T819.1-85	screw M6×16	螺钉M6×16	3		
13	2.20.0103.12000	DD250E-0103120	Plate, oil through	通油盘	1		
14	2.99.70.0630500	GB/T276-94	bearing 6305/P6	轴承6305/P6	2		
15	2.20.0103.13000	DD250E-0103130	oil seal 35×52×7	油封35×52×7	1		
16	2.99.70.0620200	GB/T276-94	bearing 6202-Z/P6	轴承6202-Z/P6	1		
17	2.20.0103.14000	DD250E-0103140A	bearing 22×47×14-RS/P6	轴承22×47×14-RS/P6	1		
18	2.20.0103.15000	DD250E-0103150	oil seal 22×34×7	油封22×34×7	1		
19	2.20.0103.16000	DD250E-0103160	oil seal 11.6×24×10	油封11.6×24×10	1		
20	2.22.0103.2102S	DD262MP-010321S	right crankcase matte black balance shaft	右曲轴箱(亚光黑)平衡轴	1		
21	2.99.70.0630400	GB/T276-94	rolling bearing 6304/P6	滚动轴承6304/P6	1		
22	2.20.0103.22000	DD250E-0103220A	Needle roller bearingsNK152312	滚针轴承NK152312	1		
23	2.20.0103.00100	DD262MP-0103001	Gasket,right crankcase cover (non asbestos)	右曲轴箱盖纸垫	1		
24	2.20.0112.0010S	DD250E-0112001A	bolt M6×40	螺栓M6×40	8		
25	2.20.0103.0210R	DD250E-0103021A	bolt M8×1×30	螺栓M8×1×30	1		

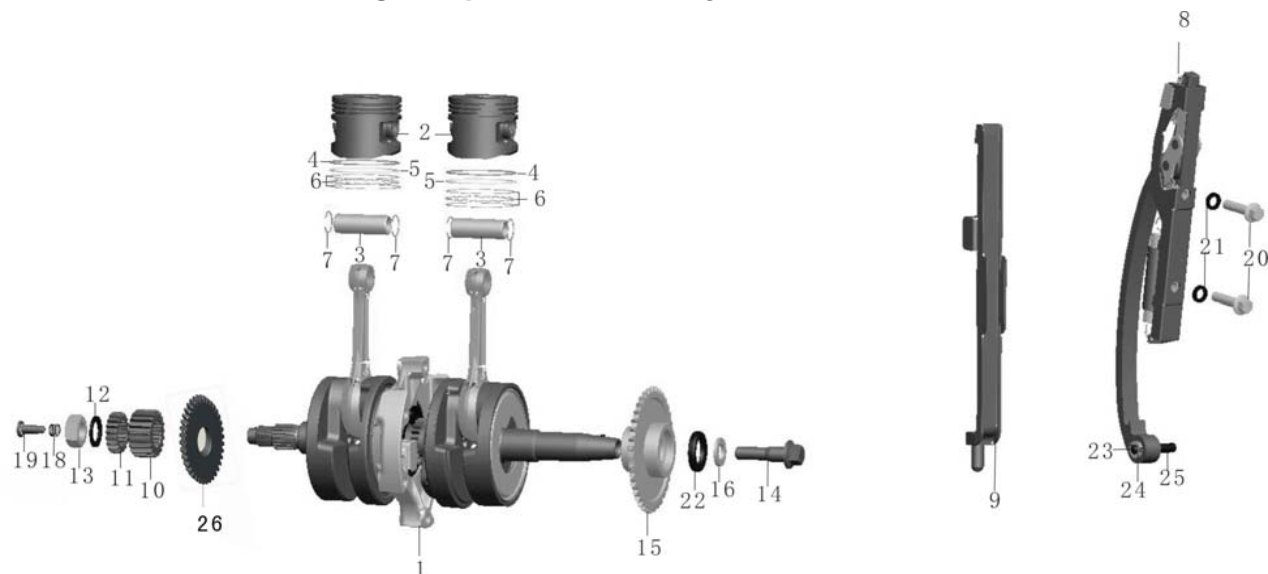
### E-3: Crankcase assembly



s/n	part number	part code	parts english name	parts Chinese name	qty	price	order	note
26	2.20.0103.00500	DD250E-0103005A	Location set $\Phi 12 \times 20$	定位套 $\Phi 12 \times 20$	2			
27	2.20.0103.00600	DD250E-0103006B	Gasket,side spacer	隔板纸垫	1			
28	2.22.0103.00700	DD262MP-0103007A	Gasket,crankcase	箱体纸垫	1			
29	2.20.0108.0060S	DD250E-0108006A	bolt M6 $\times$ 65	螺栓M6 $\times$ 65	2			
30	2.90.0100.08300	JH70.20108	valve cover	气门盖	1			
31	2.90.0101.01800	DD50E(1B)-0101018	valve cover O-ring	气门盖O型密封圈	1			
32	2.20.0103.01500	DD250E-0103015A	Bolt, cylinder head stud	气缸盖双头螺柱	8			
33	2.20.0103.0160R	DD250E-0103016A	bolt M8 $\times$ 1 $\times$ 35	螺栓M8 $\times$ 1 $\times$ 35	4			
34	2.22.0103.0230R	DD262MP-0103023	bolt M7 $\times$ 1 $\times$ 19	螺栓M7 $\times$ 1 $\times$ 19	1			
35	2.99.05.060320R	GB819-85	screw M6 $\times$ 32-ZnD	螺钉M6 $\times$ 32-ZnD	3			
36	2.20.0103.10100	DD250E-0103101	Large Bulkhead	大闷头	1			
37	2.20.0103.10200	DD250E-0103102	small bulkhead	小闷头	1			
38	2.52.0103.09200	DD150E-2-0103092	screen ,oil filter	机油滤网组件	1			
39	2.19.0112.00400	DD300A-0112004	spring,oil filter	机油滤网弹簧	1			
40	2.99.70.0630110	GB278-88	bearing 6301/P53	轴承6301/P53	2			
41	2.20.0103.11100	DD250E-0103111A	O-ring 6 $\times$ 3	O型圈6 $\times$ 3	2			
42	2.22.0103.0240R	DD262MP-0103024	pressing plate, oil pump	机油泵压板	1			
43	2.22.0106.02600	DD262MP-0103026	seal ring,oil pump	机油泵密封圈	1			

44	2.20.0113.0010S	DD250E-0113001	bolt M6*46	螺栓M6*46	2			
45	1.11.02.020030S	DD90E-0202-003	bolt M6*35	螺栓M6*35	1			
46	2.99.04.050080	GB818-2000	screw M5*8	螺钉M5*8	2			

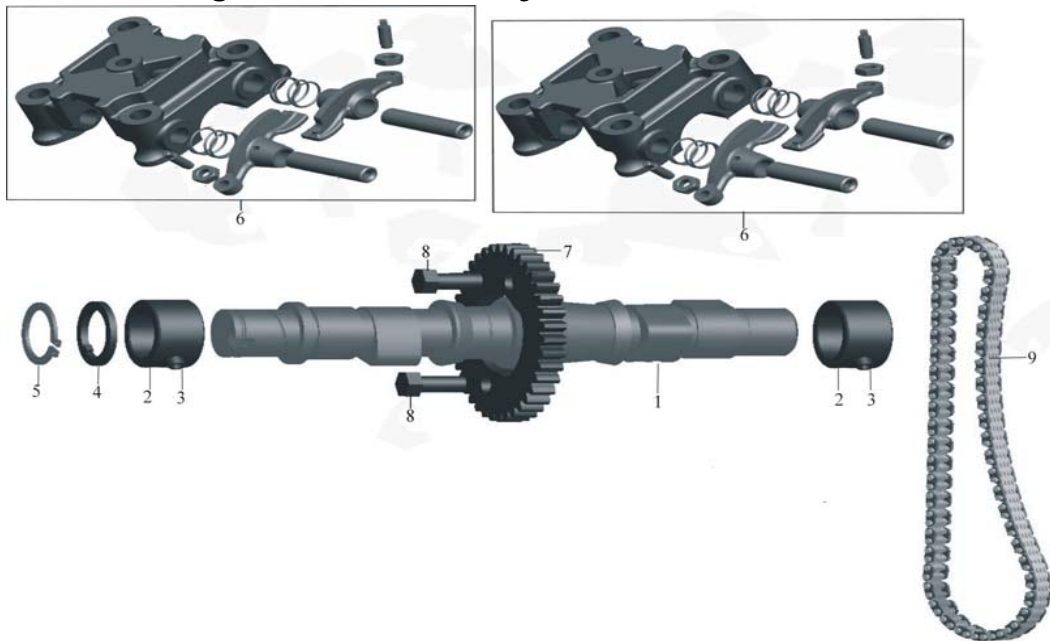
#### E-4: Crankshaft connecting rod piston assembly



s/n	part number	part code	parts english name	parts Chinese name	qty	price	order	note
1	2.22.0104.10020	DD262MP-0104100A	Crankshaft comp	曲轴连杆组件	1			
2	2.20.0104.20100	DD262MP-0104201	piston	活塞	2			
3	2.22.0104.20200	DD262MP-0104202	Pin, piston	活塞销	2			
4	2.22.0104.20310	DD262MP-0104203	1st piston ring	第一道活塞环	2			
5	2.22.0104.20410	DD262MP-0104204	2nd piston ring	第二道活塞环	2			
6	2.22.0104.21110	DD262MP-0104211	expander ring	涨环	2			
	2.22.0104.21210	DD262MP-0104212	Scaper	刮片	4			
7	2.20.0104.20500	DD250E-0104205A	Clip, piston pin	活塞销孔挡圈	4			
8	2.20.0104.30020	DD250E-0104300A	Chain stretching comp	链条张紧机构组件	1			
9	2.20.0104.00110	DD250E-0104001A	Guide, cam chain	链条导向板	1			
10	2.20.0104.00200	DD250E-0104002A	Gear, primary drive	初级传动齿轮	1			
11	2.23.0104.00300	DD250E-9-0104011	Gear, oil pump drive	机油泵驱动齿轮	1			
12	2.20.0104.00400	DD250E-0104004A	Washer, lock	弹性垫圈(小)	1			
13	2.20.0104.0050R	DD250E-0104005A	Nut, hex M16x1	六角螺母M16×1	1			
14	2.20.0104.0060R	DD250E-0104006C	Bolt, rotor setting	曲轴螺栓	1			
15	2.20.0104.00700	DD250E-0104007B	Sprocket comp, starting	链轮	1			
16	2.20.0104.00800	DD250E-0104008	Washer 12	垫圈12	1			
17	2.20.0104.00900	DD250E-0104009A	Pin $\Phi 2 \times 14$	销 $\Phi 2 \times 14$	1			
18	2.20.0104.01100	DD250E-0104011A	Spring, oil through	出油管弹簧	1			

19	2.20.0104.01200	DD250E-0104012A	Through oil	出油管	1			
20	2.20.0104.0130R	DD250E-0104013A	BoltM6x26	螺栓M6x26	2			
21	2.20.0104.01400	DD250E-0104014A	Washer 6	垫圈6	2			
22	2.20.0104.02000	DD250E-0104020	Oil seal22×31×5	油封22×31×5	1			
23	2.20.0104.01500	DD250E-0104015A	Washer 6	平垫圈6	1			
24	2.20.0104.01600	DD250E-0104016B	Flexible spring	弹性销	1			
25	2.20.0111.13900	DD250E-0111139	pin B6*14	销B6X10	1			
26	2.22.0104.11600	DD262MP-0104116	balance shaft active gear	平衡轴主动齿	1			

### E-5: Allot air organization assembly



s/n	part number	part code	parts english name	parts Chinese name	qty	price	order	note
1	2.20.0105.10110	DD250E-0105101A	Camshaft	凸轮轴	1			
2	2.20.0105.10210	DD250E-0105102A	Bush, camshaft	凸轮轴承套	2			
3	2.20.0105.10300	DD250E-0105103A	Pin, dowel bush camshaft	凸轮轴承套定位油套	2			
4	2.99.63.0200000	GB/T894.2-86	Circlip, externa 20	轴用弹性挡圈(20)	1			
5	2.20.0105.10500	DD250E-0105105A	Washer, thrust	凸轮轴轴端挡圈	1			
6	2.22.0105.20010	DD262MP-0105200	Holder comp, camshaft M8	凸轮轴承盖组件(M8)	2			
7	2.20.0105.00130	DD250E-0105001	Sprocket, cam	凸轮轴链轮	1			
8	2.20.0105.0020C	DD250E-0105002A	Bolt M7×13	链轮紧固螺栓M7×13	2			
9	2.20.0105.30000	DD250E-01053000A	Chain, cam	正时齿形链	1			

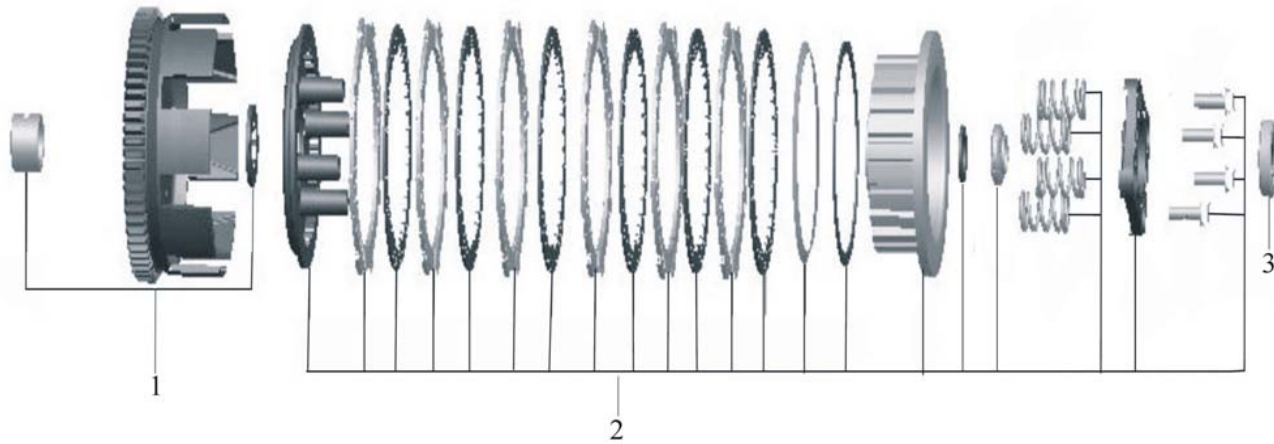


**E-6: Oil pump assembly**



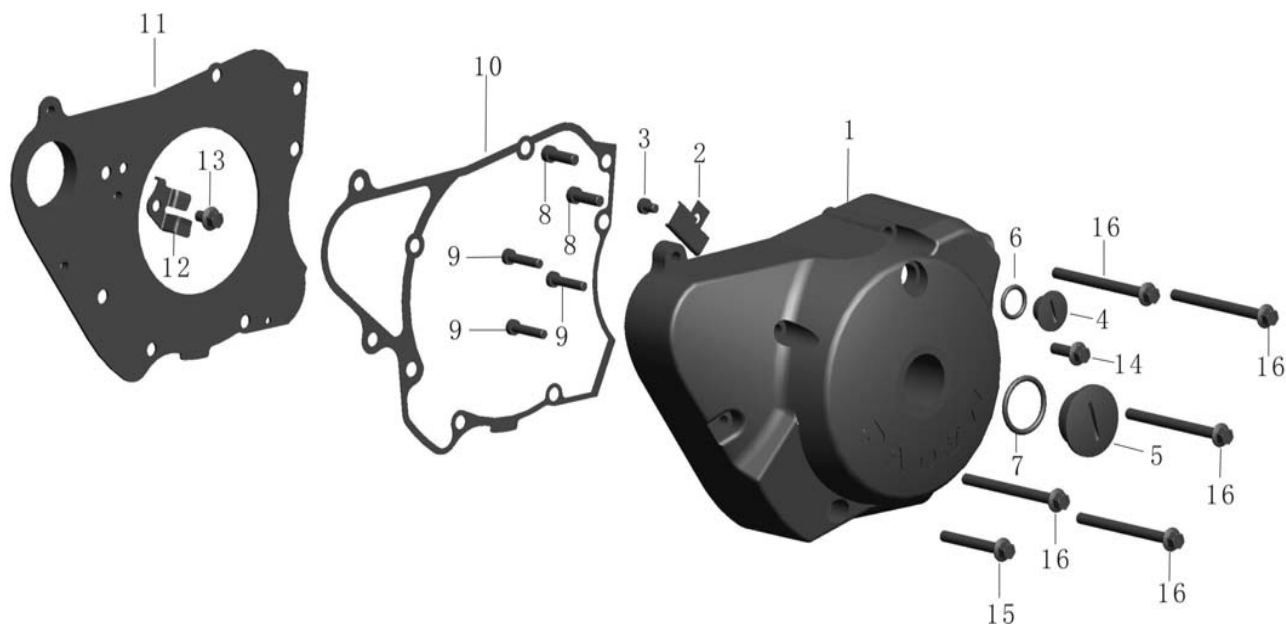
s/n	part number	part code	parts english name	parts Chinese name	qty	price	order	note
1	2.19.0106.00000	DD300A-0106000	oil pump assy	机油泵分总成	1			

### E-7: Clutch assembly



s/n	part number	part code	parts english name	parts Chinese name	qty	price	order	note
1	2.22.0107.11000	DD262MP-0107110	Outer comp, clutch	外壳组合	1			
2	2.25.0107.12000	DD300E-0107120	Center frame comp	中心架组合	1			
3	2.20.0107.20000	DD250E-0107200A	Pushing bearing assy	推力轴承组件	1			

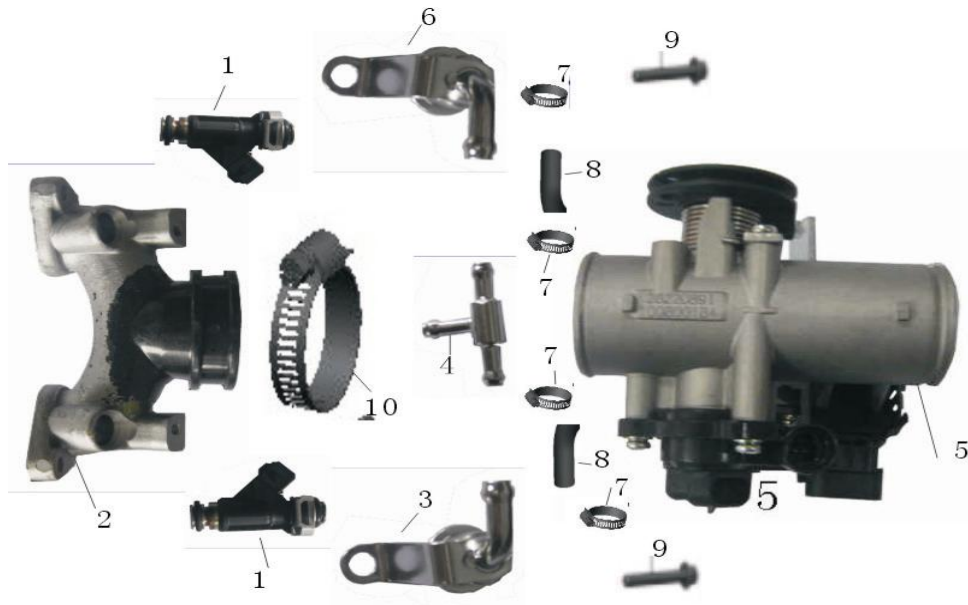
### E-8: Left crankcase cover assembly



s/n	part number	part code	parts english name	parts Chinese name	qty	price	order	note
1	2.20.0108.10108	DD250E-0108101A	Cover, left crankcase matte black	左曲轴箱盖(亚光黑)	1			
2	2.20.0108.1020R	DD250E-0108102A	Tension Disc	压线板	1			
3	2.99.03.050080R	GB70-85 M5×8	Screw, hex M5×30-ZnD	内六角螺钉M5×8-ZnD	1			
4	2.20.0108.1030S	DD250E-0108103A	Screw M14×1.5	螺塞M14×1.5	1			

5	2.20.0108.1040S	DD250E-0108104A	Screw M30×1.5	螺塞M30×1.5	1			
6	2.20.0108.10500	DD250E-0108105	O-ring 13.8×25	O形圈 (13.8×25)	1			
7	2.20.0108.10600	DD250E-0108106	O-ring 25.8×3.1	O形圈 (25.8×3.1)	1			
8	2.99.03.060200R	GB70-85 M6×20	Screw, hex M6×20-ZnD	内六角螺钉 M6×20-ZnD	2			
9	2.99.03.050250R	GB70-85 M5×25	Screw, hex M5×30-ZnD	内六角螺钉M5×25-ZnD	3			
10	2.20.0108.00110	DD250E-0108001A	Gasket, left crankcase cover (non asbestos)	左曲轴箱纸垫	1			
11	2.20.0108.0020R	DD250E-0108002A	Spacer comp, left side	隔板	1			
12	2.20.0108.00300	DD250E-0108003A	Plate, starting sprocket setting	链轮定位板	1			
13	2.99.26.060100R	GB5787-86 M6×10	Bolt M6×10-ZnD	螺栓M6×10-ZnD	1			
14	2.20.0108.0040S	DD250E-0108004A	Bolt M6×20	螺栓M6×20	1			
15	2.20.0112.0020S	DD250E-0112002A	Bolt M6×50	螺栓M6×50	1			
16	2.20.0108.0060S	DD250E-0108006A	Bolt M6×65	螺栓M6×65	5			

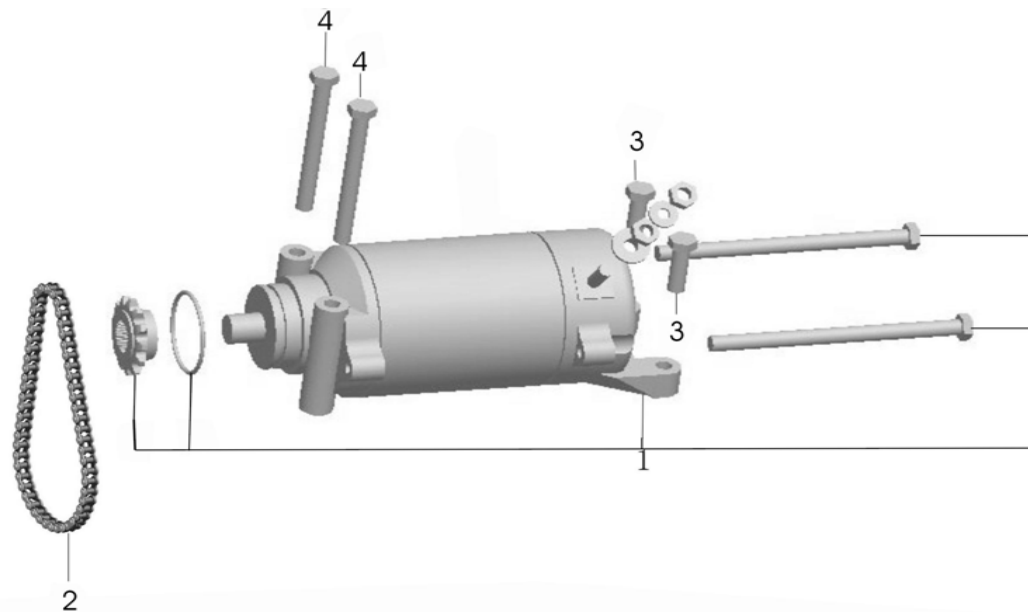
### E-9: EFI assy



s/n	part number	part code	parts english name	parts Chinese name	qty	price	order	note
1	2.24.0118.30000	DD250E-9B-0118300	injection (Delphi)	喷嘴组件 (德尔福)	2			

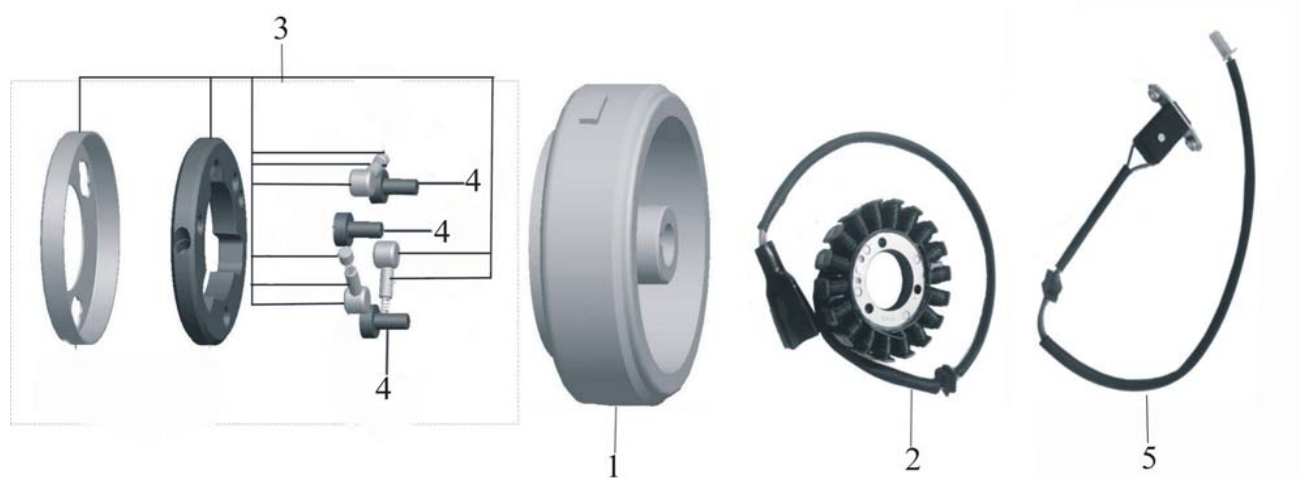
2	2.22.0118.10000	DD262MP-0118100	intake manifold Delphi	进气支管组件 (电喷)	1			
3	2.22.0118.3020S	DD262MP-0118302	right brackets set	右固定架组件	1			
4	2.24.0118.0010S	DD250E-9B-0118001	T pipe	汽油三通管	1			
5	2.22.0118.40000	DD262MP-0118400	throttle body assy.	节气门总成	1			
6	2.22.0118.3010S	DD262MP-0118301	left brackets set	左固定架组件	1			
7	1.17.18.0400601	DD150E-5-1804006	Φ16 clamp	卡箍 Φ16	4			
8	2.24.0117.00500	DD250E-9A-0117005	Rubber connecting pipe	橡胶连接管	2			
9	2.99.26.060120S	GB5787-86	bolt M6X12	螺栓M6X12	2			
10	1.01.07.0000100	DD250E-1700001	clamp Φ48	卡箍 Φ48	1			

### E-10: Electricity starting assembly



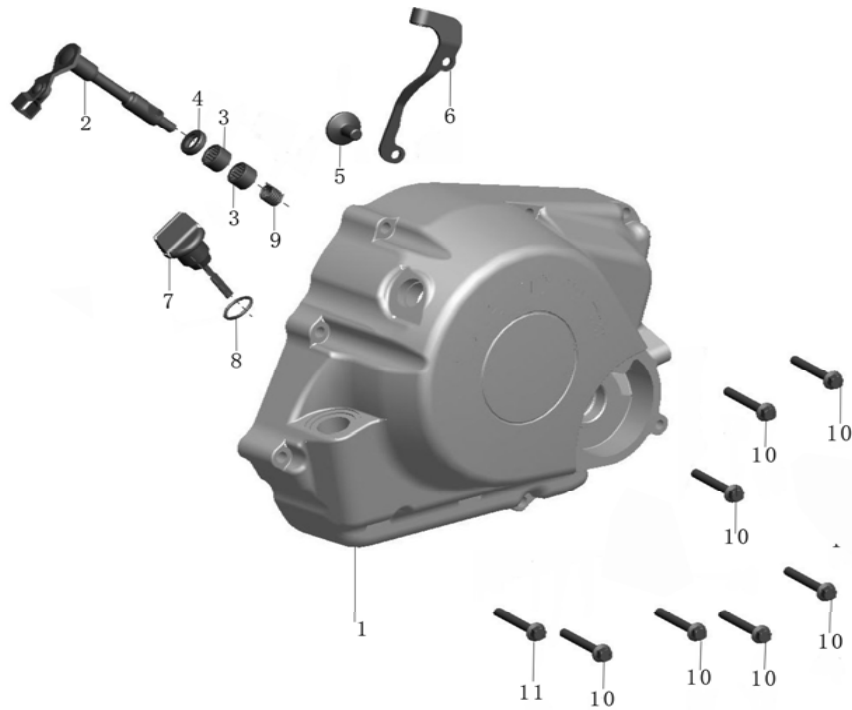
s/n	part number	part code	parts english name	parts Chinese name	qty	price	order	note
1	2.20.0102.10000	DD250E-0110100	Starting motor	起动电机组件	1			
2	2.20.0110.30000	DD250E-0110300A	Chain, starting	起动电机链条	1			
3	2.20.0110.0010S	DD250E-0110001A	bolt M6×22	螺栓M6×22	2			
4	2.20.0108.0060S	DD250E-0108006A	bolt M6×65	螺栓M6×65	2			

## E-11: Electrical system



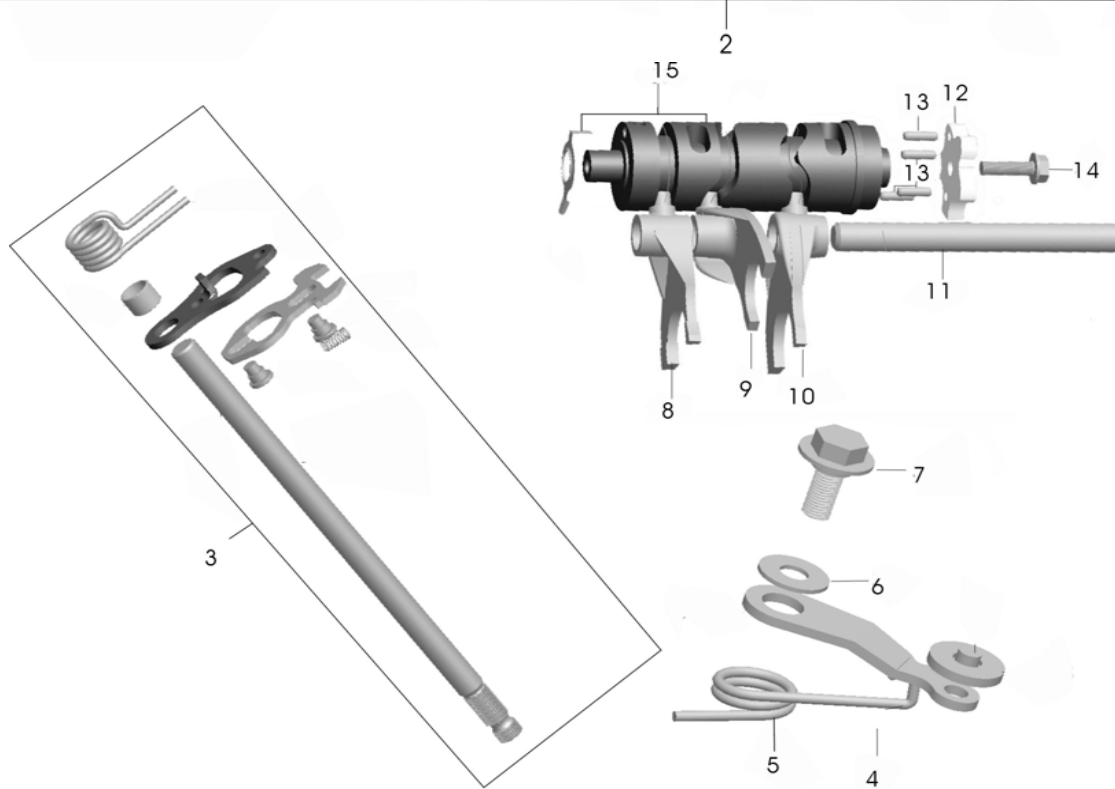
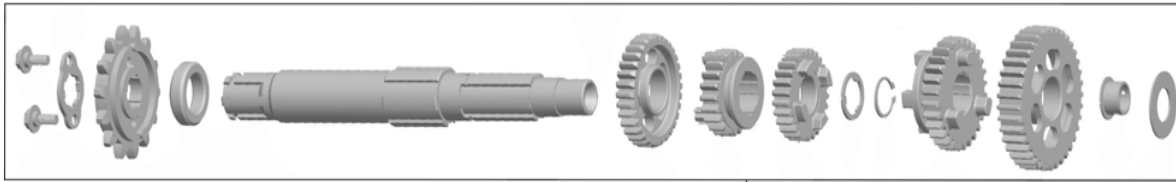
s/n	part number	part code	parts english name	parts Chinese name	qty	price	order	note
1	2.24.0111.11000	DD250E-9B-0111110	Flywheel comp	飞轮分组件	1			
2	2.23.0111.12000	DD250E-0111120B	Stator comp	定子分组件	1			
3	2.22.0111.13000	DD262MP-0111130	Starting clutch	超越离合器组件	1			
4	2.20.0111.13700	DD250E-0111137	Screw M8*14-ZnD	内六角螺钉M8x14-ZnD	3			
5	2.29.0111.15000	DD300E-0111150	Sensor set	传感器分组件	1			

### E-12: Right crankcase cover assembly new model



s/n	part number	part code	parts english name	parts Chinese name	qty	price	order	note
1	2.23.0112.10207	DD253MM-0112101	Cover comp,right crankcase matte black	右曲轴箱盖(亚光黑)	1			
2	2.20.0112.1100S	DD250E-0112110A	lever comp, clutch	分离杆组件	1			
3	2.20.0112.12000	DD250E-0112120	Bearing HK1210	轴承HK1210	2			
4	2.20.0112.13000	DD250E-0112130	Oil seal 12×18×5	油封12×18×5	1			
5	2.20.0112.10200	DD250E-0112102A	Pin, clutch lifter	推盘	1			
6	2.20.0112.1030S	DD250E-0112103A	Receiver, clutch cable	定位钩	1			
7	2.20.0112.14000	DD250E-0112140	Gauge, oil level	油尺	1			
8	2.20.0112.14200	DD250E-0112142A	O- ringΦ18×3	O形密封圈Φ18×3	1			
9	2.20.0112.10600	DD250E-0112106A	Spring S	扭簧(S)	1			
10	2.20.0112.0010S	DD250E-0112001A	Bolt M6×40	螺栓M6×40	9			
11	2.20.0112.0020S	DD250E-0112002A	Bolt M6×50	螺栓M6×50	1			

## E-13: Transmission assembly



s/n	part number	part code	parts english name	parts Chinese name	qty	price	order	note
1	2.20.0114.10000	DD250E-0114100	main shaft	主轴组件 (富川)	1			
2	2.20.0114.20100	DD250E-0114201C	Countershaft	副轴 (副川)	1			
3	2.20.0114.30010	DD250E-0114300C	Stopper comp, gearshift drum	换挡杆机构 (加长12mm)	1			
4	2.20.0114.50000	DD250E-0114500A	Stopper comp, gearshift drum	托轮机构	1			
5	2.20.0114.50100	DD250E-0114501	Spring, shift drum stopper	扭转弹簧	1			
6	2.20.0114.50200	DD250E-0114502A	washer 6	垫圈6	1			
7	2.20.0114.5030R	DD250E-0114503A	screw M6×12	螺钉M6×12	1			
8	2.20.0114.00100	DD250E-0114001A	Fork, left gearshift	换挡拨叉 (左)	1			
9	2.20.0114.00200	DD250E-0114002A	Fork, center gearshift	换挡拨叉 (中)	1			
10	2.20.0114.00300	DD250E-0114003A	Fork, right gearshift	换挡拨叉 (右)	1			



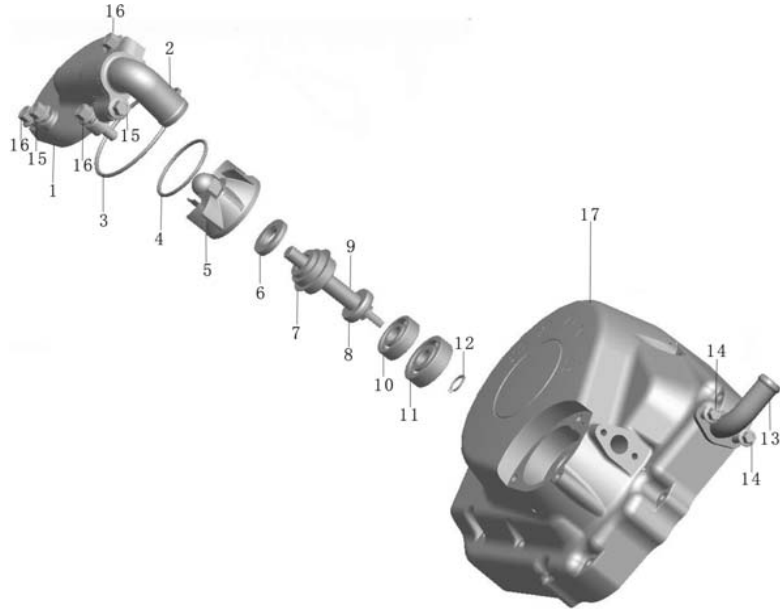
11	2.20.0114.00400	DD250E-0114004	Shaft, gearshift fork guide	拨叉轴	1			
12	2.20.0114.00500	DD250E-0114005A	Plate, drum stopper	换档凸轮	1			
13	2.20.0114.00600	DD250E-0114006A	Pin, gearshift drum	圆柱销	4			
14	2.20.0114.0070R	DD250E-0114007A	Screw M6×20	螺钉M6×20	1			
15	2.20.0114.60010	DD250E-0114601A	Drum, gearshift assy	换档凸轮鼓 组件	1			

### E-14: Balance shaft assy



s/n	part number	part code	parts english name	parts Chinese name	qty	price	order	note
1	2.22.0104.40000	DD262MP-0104400	balnce shaft assy	平衡轴组件	1			
2	2.22.010440200	DD262MP-0104402	Passive balance shaft gear	平衡轴被动齿	1			

### E-15: Water pump assy



s/n	part number	part code	parts english name	parts Chinese name	qty	price	order	note
1	2.23.0116.00209	DD253MM-0116002	Water pump cover matte black	水泵盖(亚光黑)	1			
2	2.23.0116.10208	DD253MM-0116102	inlet water pump connector	水泵进水管接头	1			
3	2.23.0116.00610	DD253MM-0116006	O-ring of pump cover	泵盖密封圈	1			
4	2.23.0116.00500	DD250E-9-0116005	O-ring $\phi 36 \times 2$	O型圈 $\phi 36 \times 2$	1			
5	2.23.0116.00402	DD250E-9-0116004	Fan	叶轮	1			
6	2.23.0116.20000	DD250E-9-0116200	Water seal B	水封B	1			
7	2.23.0116.10000	DD250E-9-0116100	Water seal A	水封A	1			
8	2.23.0116.30000	DD250E-9-0116300	oil seal 21x10x5	油封21x10x5	1			
9	2.23.0116.00310	DD253MM-0116003	Water pump shaft	水泵轴	1			
10	2.99.70.0600000	GB/T276-94	bearing 6000	轴承6000	1			
11	2.99.70.0620000	GB/T276-94	bearing 6200	轴承6200	1			
12	2.99.63.0800000	GB/T896-86	Retaining ring 8	挡圈8	1			
13	2.23.0112.1090R	DD253MM-0112109	Hose connector	水管接头	1			
14	2.99.06.060160S	GB5787-86	bolt M6x16	螺栓M6x16	2			
15	2.99.26.060120S	GB5787-86	bolt M6x12	螺栓M6x12	2			
16	2.20.0108.0040S	DD250E-0108004A	bolt M6x20	螺栓M6x20	3			

17	2.23.0112.10207	DD253MM-0112101	right crankcase cover matte black	右曲轴箱盖(亚光黑)	1			
18	2.99.55.0600000	GB848-2000	washer 6	垫圈6 (铝)	1			
19	2.23.0112.11000	DD253MM-0112110	outlet water pump gasket	水泵出水管纸垫	1			